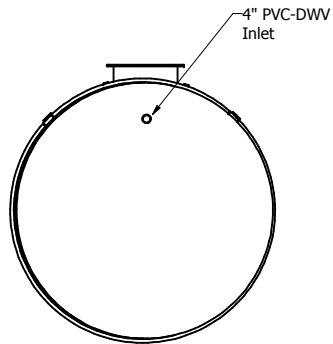
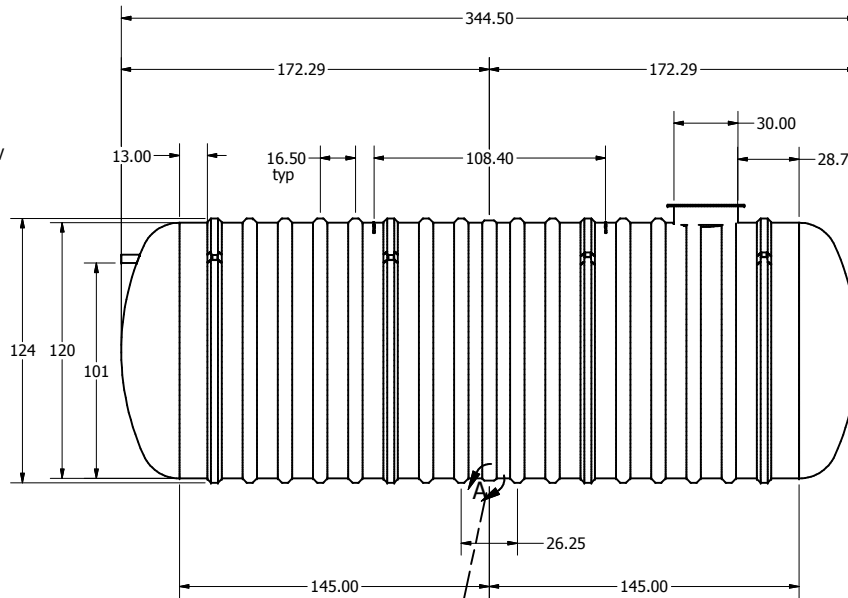
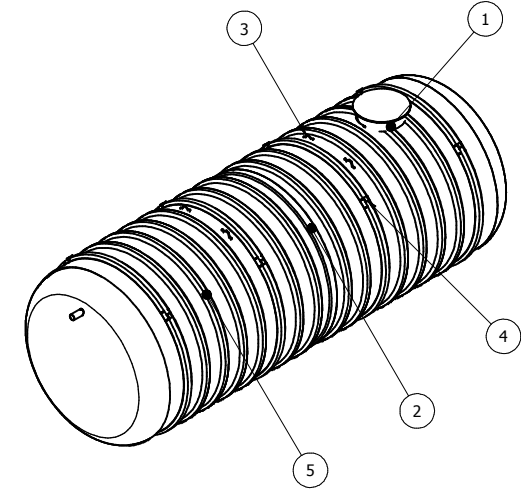
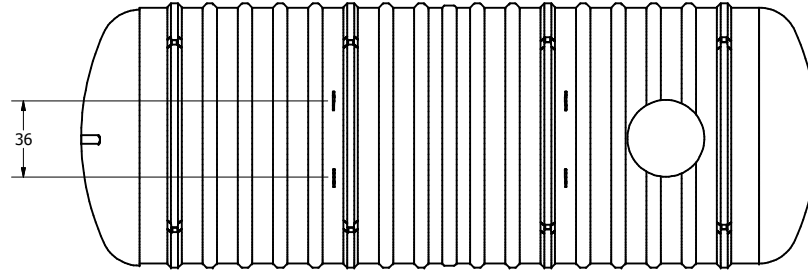


| Parts List | | | |
|------------|-----|---------------|-----------------------------------|
| ITEM | QTY | PART NUMBER | DESCRIPTION |
| 1 | 1 | C-COLLAR-30IN | 30"D COLLAR |
| 2 | 1 | SEAM-10FT | SEAM |
| 3 | 4 | LIFT-LUG-8-10 | LIFT LUG |
| 4 | 4 | C-RIB-GUIDE | STURUCTURAL RIB WITH ANCHOR GUIDE |
| 5 | 12 | C-RIB | STRUCTURAL RIB |



6mm x 200mm min. FRP bond on Outside

SECTIONAL JOINT DETAIL A
SCALE 1/25

| OPTIONAL | PARTS |
|-------------------|---------------------|
| 30"X12" EXTENSION | ANCHORS |
| 30"X30" EXTENSION | FOAM INSULATION |
| 30"X60" EXTENSION | LOCK BAR |
| 30"X84" EXTENSION | OPTIONAL FITTING(S) |
| ALARM | PUMP STAND |

| | | |
|------------------------|--------|-----------|
| DRAWN | MPS | 2/12/2008 |
| CHECKED | | |
| QA | | |
| MFG | | |
| APPROVED | | |
| CAPACITY | LENGTH | |
| 59,098L (13,000 IG) | 28' 9" | |

TITLE
BX13000S UNDERGROUND FIBREGLASS
SEWAGE HOLDING TANK




| | | |
|-------|--------------|-----|
| SIZE | DWG NO | REV |
| C | BX13000S | 1 |
| SCALE | SHEET 1 OF 1 | |