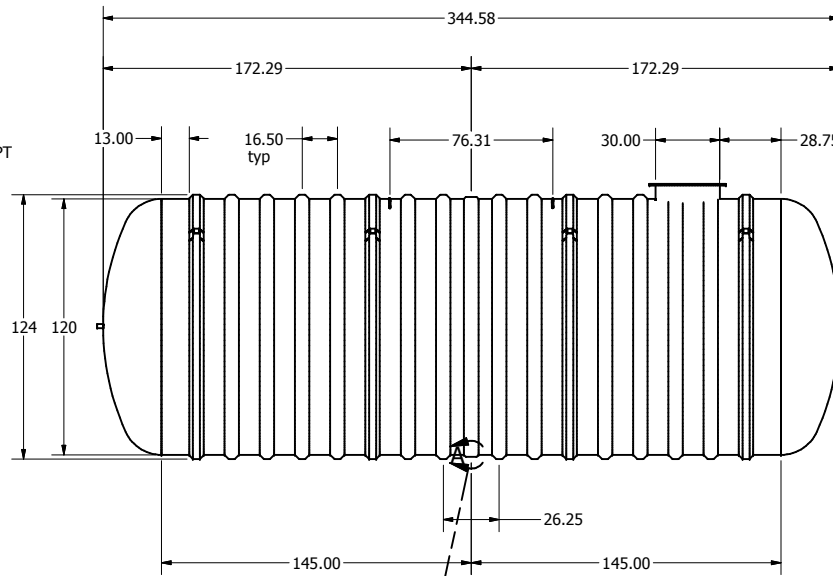
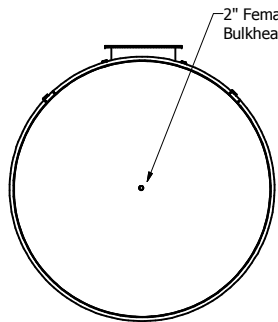
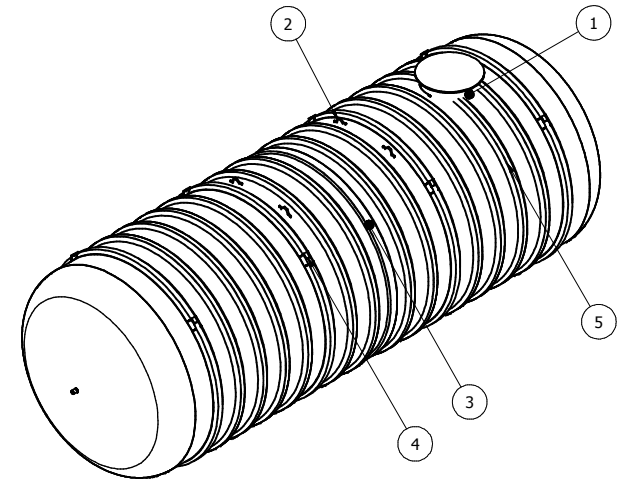
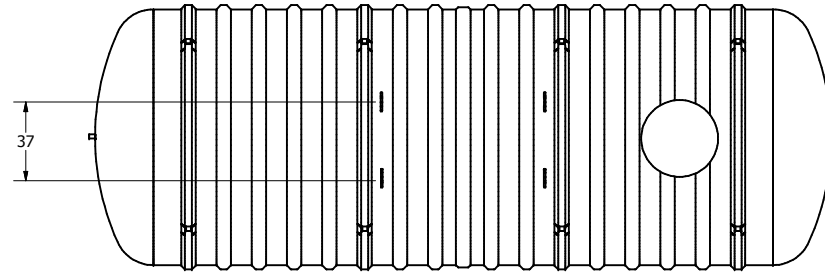


Parts List			
ITEM	QTY	PART NUMBER	DESCRIPTION
1	1	C-COLLAR-30IN	30"D COLLAR
3	1	SEAM-10FT	SEAM
2	4	LIFT-LUG-8-10	LIFT LUG
4	4	C-RIB-GUIDE	STURUCTURAL RIB WITH ANCHOR GUIDE
5	12	C-RIB	STRUCTURAL RIB



6mm x 200mm min. FRP bond on Outside

SECTIONAL JOINT DETAIL A  
SCALE 1/25

DRAWN	MPS	3/6/2008
CHECKED		
QA		
MFG		
DCL		
APPROVED		
DCL		
CAPACITY	LENGTH	
59,098L (13,000 IG)	28' 9"	

OPTIONAL	PARTS
<input type="checkbox"/> 30"X12" EXTENSION	<input type="checkbox"/> ANCHORS
<input type="checkbox"/> 30"X30" EXTENSION	<input type="checkbox"/> FOAM INSULATION
<input type="checkbox"/> 30"X60" EXTENSION	<input type="checkbox"/> LOCK BAR
<input type="checkbox"/> 30"X84" EXTENSION	<input type="checkbox"/> OPTIONAL FITTING(S)
<input type="checkbox"/> ALARM	<input type="checkbox"/> PUMP STAND

TITLE		BX13000W UNDERGROUND FIBREGLASS WATER CISTERN	
 Drinking Water <small>NSF/ANSI 61</small>		 <b>FRP</b> MANUFACTURING INC	
C		BX13000W	REV 1
SCALE		SHEET 1 OF 1	