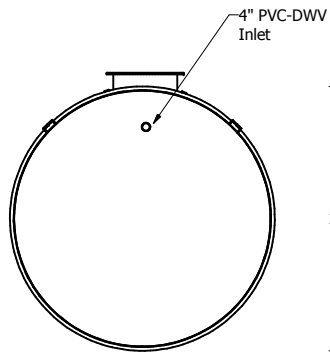
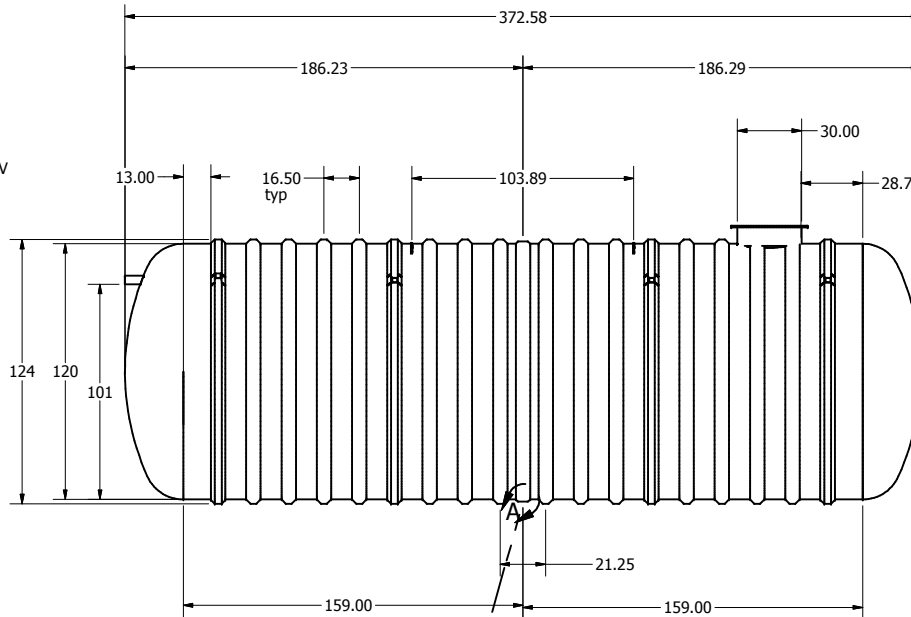
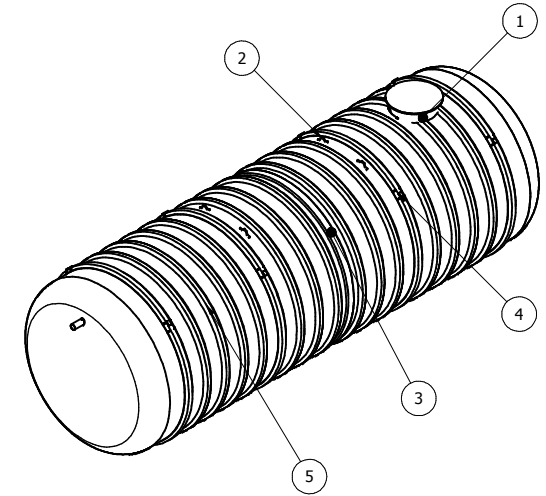
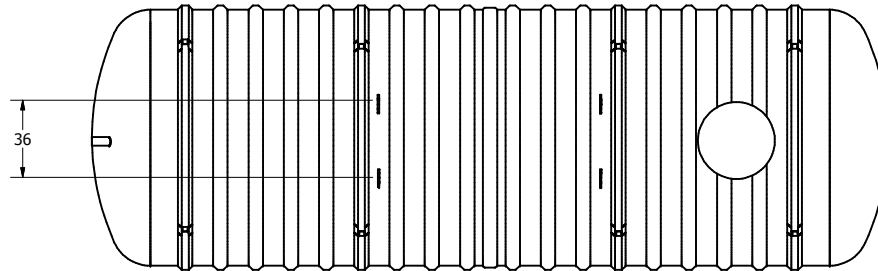


Parts List			
ITEM	QTY	PART NUMBER	DESCRIPTION
1	1	C-COLLAR-30IN	30"D COLLAR
2	4	LIFT-LUG-8-10	LIFT LUG
3	1	SEAM-10FT	SEAM
4	4	C-RIB-GUIDE	STURCTURAL RIB WITH ANCHOR GUIDE
5	14	C-RIB	STRUCTURAL RIB



6mm x 200mm min. FRP bond on Outside

SECTIONAL JOINT DETAIL A
SCALE 1/25

OPTIONAL	PARTS
30"X12" EXTENSION	ANCHORS
30"X30" EXTENSION	FOAM INSULATION
30"X60" EXTENSION	LOCK BAR
30"X84" EXTENSION	OPTIONAL FITTING(S)
ALARM	PUMP STAND

DRAWN	MPS	2/12/2008
CHECKED		
QA		
MFG		
DCL		
APPROVED		
DCL		
CAPACITY	LENGTH	
63,644L	31' 1"	
(14,000 IG)		

TITLE
BX14000S UNDERGROUND FIBREGLASS
SEWAGE HOLDING TANK




SIZE	DWG NO	REV
C	BX14000S	1
SCALE	SHEET 1 OF 1	