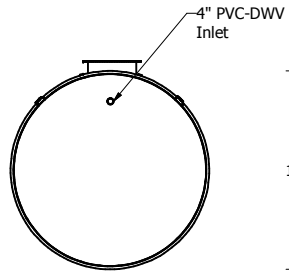
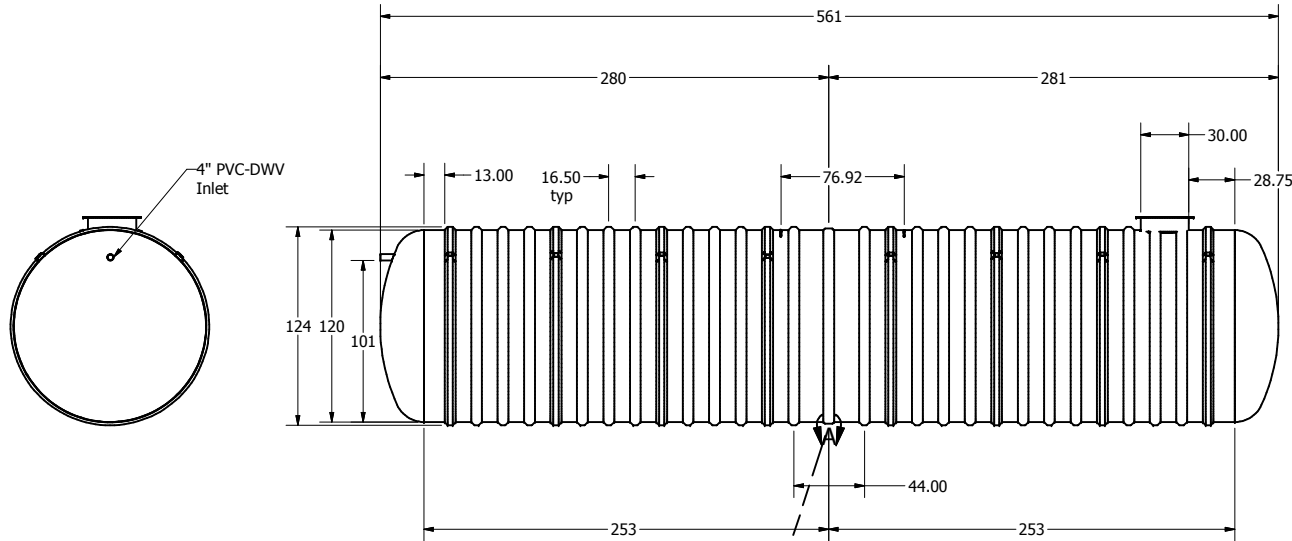
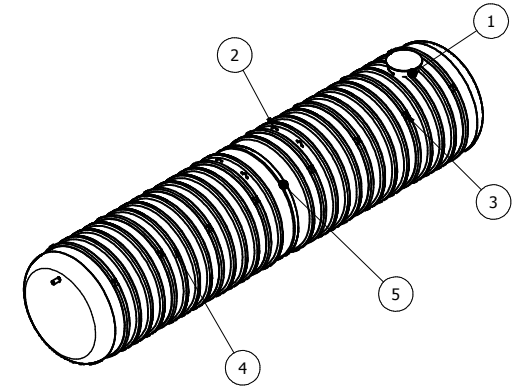
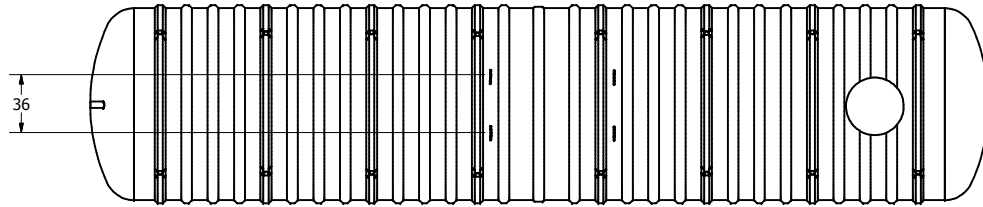


Parts List			
ITEM	QTY	PART NUMBER	DESCRIPTION
1	1	C-COLLAR-30IN	30"D COLLAR
2	4	LIFT-LUG-8-10	LIFT LUG
3	8	C-RIB-GUIDE	STURCTURAL RIB WITH ANCHOR GUIDE
4	20	C-RIB	STRUCTURAL RIB
5	1	SEAM-10FT	SEAM



6mm x 200mm min. FRP bond on Outside

SECTIONAL JOINT DETAIL A
SCALE 1 / 25

OPTIONAL	PARTS
30"X12" EXTENSION	ANCHORS
30"X30" EXTENSION	FOAM INSULATION
30"X60" EXTENSION	LOCK BAR
30"X84" EXTENSION	OPTIONAL FITTING(S)
ALARM	PUMP STAND

DRAWN MPS	1/28/2008
CHECKED	
QA	
MFG DCL	
APPROVED DCL	
CAPACITY 100,012L (22,000 IG)	LENGTH 46' 9"

TITLE BX22000S UNDERGROUND FIBREGLASS SEWAGE HOLDING TANK	
SIZE C	DWG NO BX22000S
SCALE	REV 1