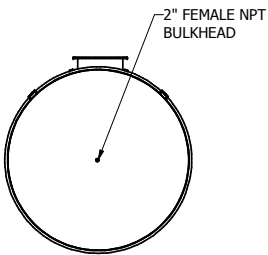
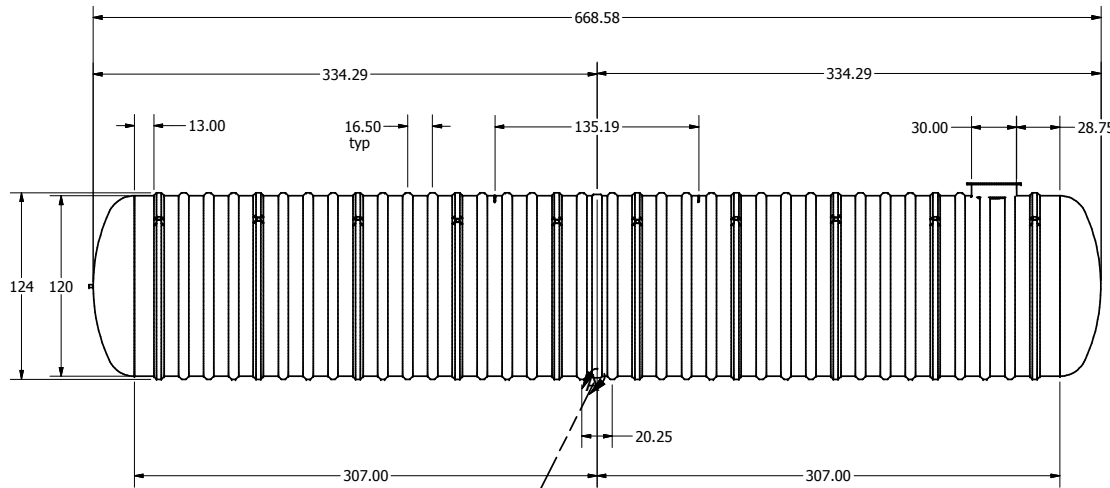
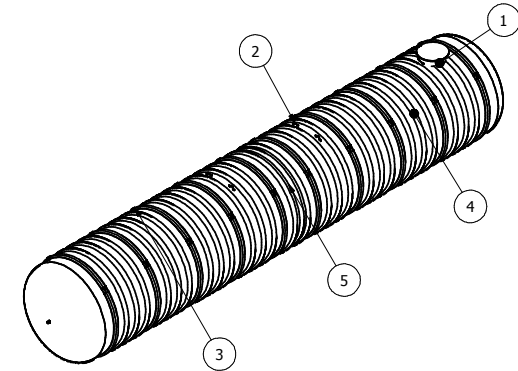
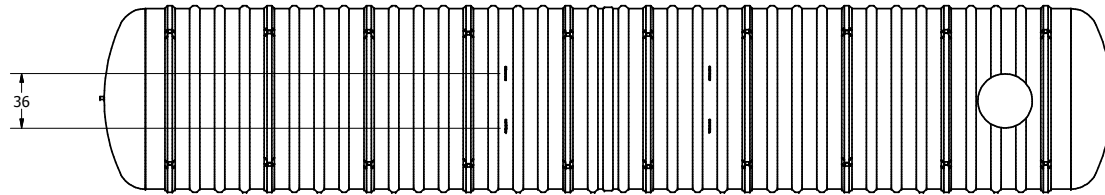


Parts List			
ITEM	QTY	PART NUMBER	DESCRIPTION
1	1	C-COLLAR-30IN	30"D COLLAR
2	4	LIFT-LUG-8-10	LIFT LUG
3	10	C-RIB-GUIDE	STURUCTURAL RIB WITH ANCHOR GUIDE
4	26	C-RIB	STRUCTURAL RIB
5	1	SEAM-10FT	SEAM



6mm x 200mm min. FRP bond on Outside

SECTIONAL JOINT DETAIL A
SCALE 1/25

OPTIONAL	PARTS
30"X12" EXTENSION	ANCHORS
30"X30" EXTENSION	FOAM INSULATION
30"X60" EXTENSION	LOCK BAR
30"X84" EXTENSION	OPTIONAL FITTING(S)
ALARM	PUMP STAND

DRAWN	11/30/2007
MPS	
CHECKED	
QA	
MFG	
DCL	
APPROVED	
DCL	
CAPACITY	LENGTH
118,196L	55' 9"
(26,000 IG)	

TITLE		REV	
BX26000W UNDERGROUND FIBREGLASS WATER CISTERN		1	
			
SIZE	DWG NO		
A2	BX26000W		
SCALE	SHEET 1 OF 1		