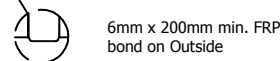
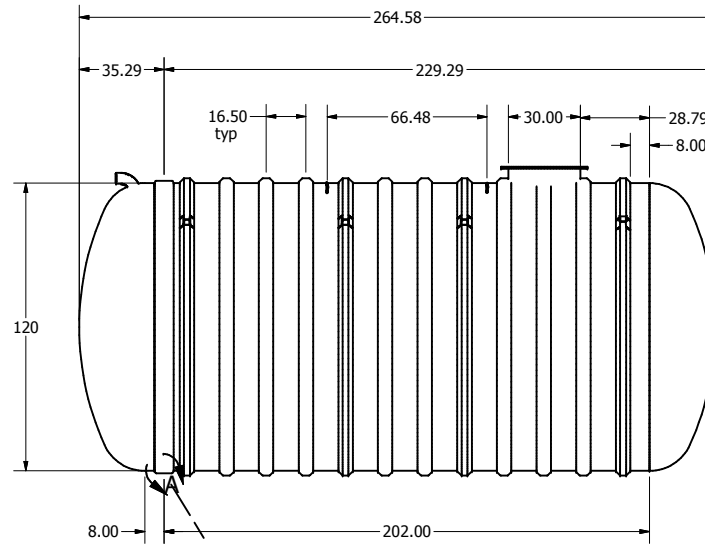
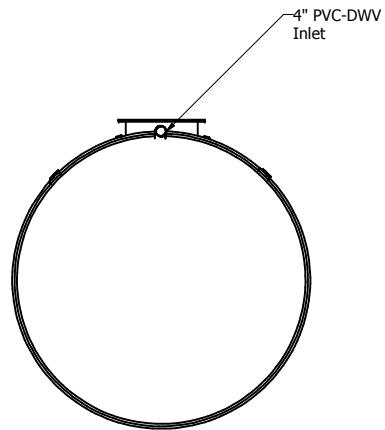
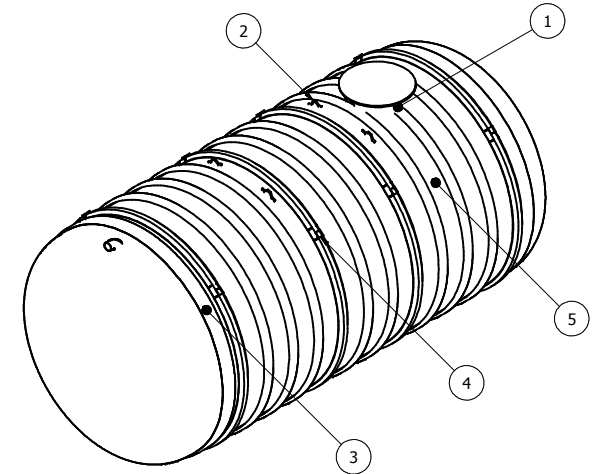
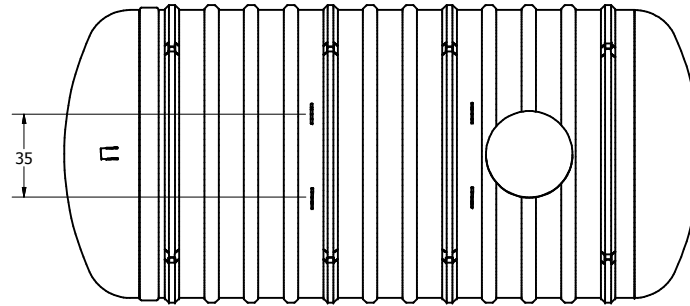


| Parts List | | | |
|------------|-----|---------------|-----------------------------------|
| ITEM | QTY | PART NUMBER | DESCRIPTION |
| 1 | 1 | C-COLLAR-30IN | 30"D COLLAR |
| 2 | 4 | LIFT-LUG-8-10 | LIFT LUG |
| 3 | 1 | SEAM-10FT | SEAM |
| 4 | 4 | C-RIB-GUIDE | STURUCTURAL RIB WITH ANCHOR GUIDE |
| 5 | 8 | C-RIB | STRUCTURAL RIB |



SECTIONAL JOINT DETAIL A
SCALE 1/25

| OPTIONAL | PARTS |
|-------------------|---------------------|
| 30"X12" EXTENSION | ANCHORS |
| 30"X30" EXTENSION | FOAM INSULATION |
| 30"X60" EXTENSION | LOCK BAR |
| 30"X84" EXTENSION | OPTIONAL FITTING(S) |
| ALARM | PUMP STAND |

| | |
|---|------------------|
| DRAWN MPS | 2/1/2008 |
| CHECKED | |
| QA | |
| MFG DCL | |
| APPROVED DCL | |
| WEIGHT 1,477 kg (3,250 lbs) | LENGTH 22' 1" |
| OVERALL CAPACITY 45,460L (10,000 IG, 12,000 USG) | |

| | |
|--|---------------------|
| TITLE BX1.0000S UNDERGROUND FIBREGLASS SEWAGE HOLDING TANK | |
| | |
| SIZE C | DWG NO BX1.0000S |
| SCALE | REV 1 |