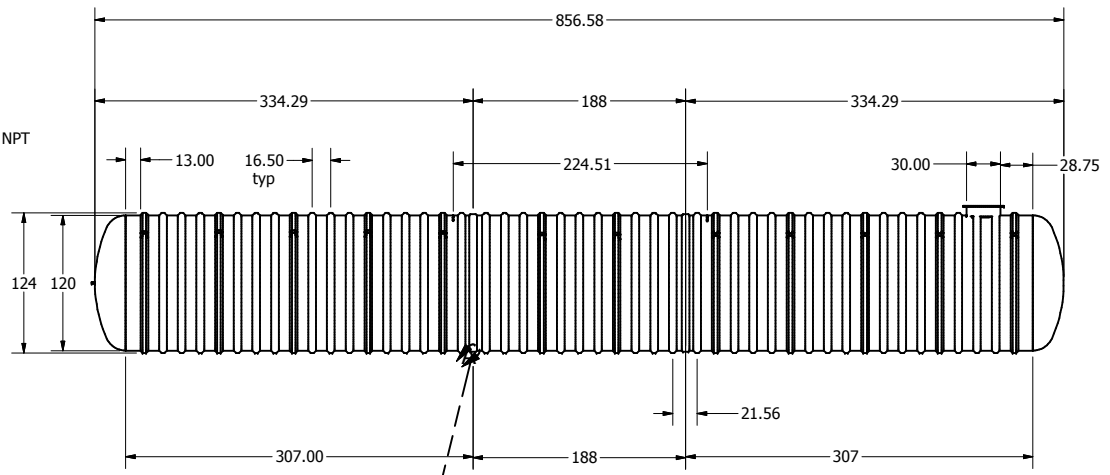
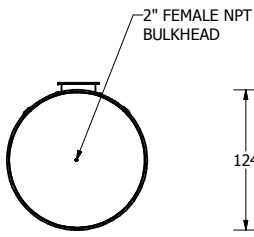
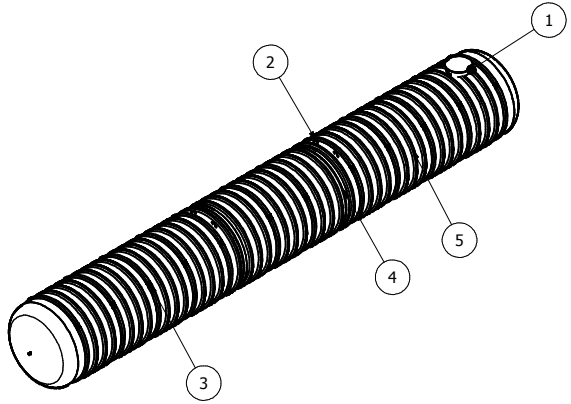
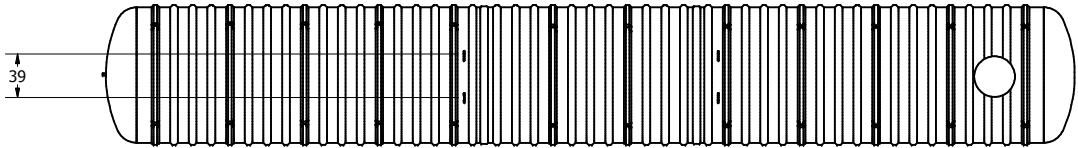


| Parts List | | | |
|------------|-----|---------------|-----------------------------------|
| ITEM | QTY | PART NUMBER | DESCRIPTION |
| 1 | 1 | C-COLLAR-30IN | 30"D COLLAR |
| 2 | 4 | LIFT-LUG-8-10 | LIFT LUG |
| 3 | 12 | C-RIB-GUIDE | STURUCTURAL RIB WITH ANCHOR GUIDE |
| 4 | 2 | SEAM-10FT | SEAM |
| 5 | 35 | C-RIB | STRUCTURAL RIB |



6mm x 200mm min. FRP bond on Outside

SECTIONAL JOINT DETAIL A
SCALE 1/25

| | | | | | |
|----------|----------------------|------------|--------|---|------|
| DRAWN | MPS | 12/14/2007 | TITLE | BX34000W UNDERGROUND FIBREGLASS WATER CISTERN | |
| CHECKED | | | | | |
| QA | | | | | SIZE |
| MFG | DCL | | C | BX34000W | 1 |
| APPROVED | DCL | | SCALE | | |
| CAPACITY | 154,564L (34,000 IG) | LENGTH | 71' 5" | SHEET 1 OF 1 | |