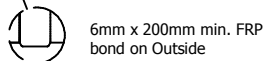
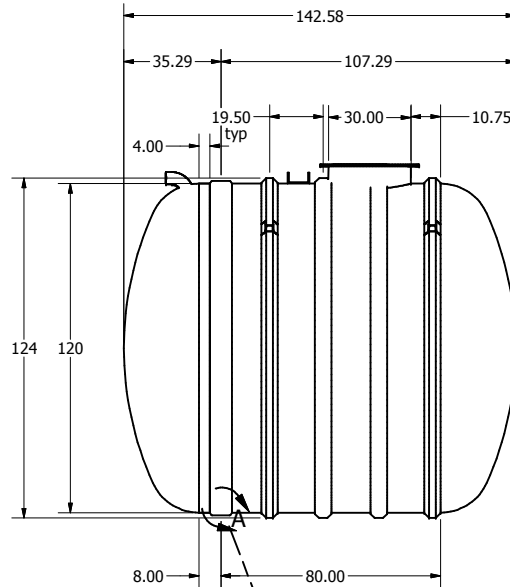
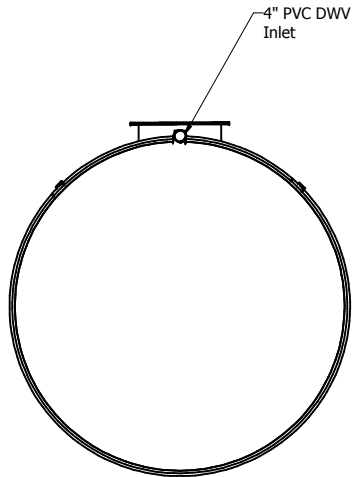
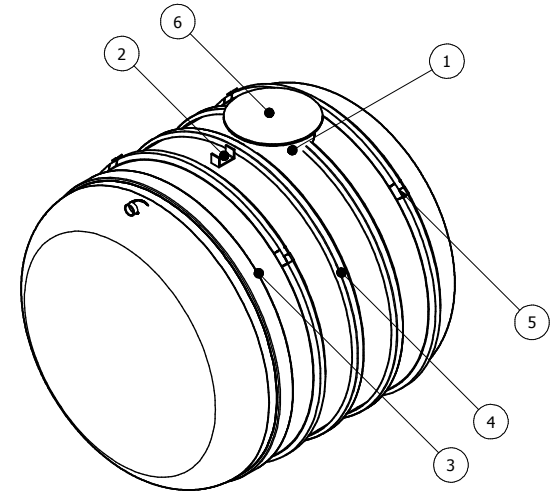
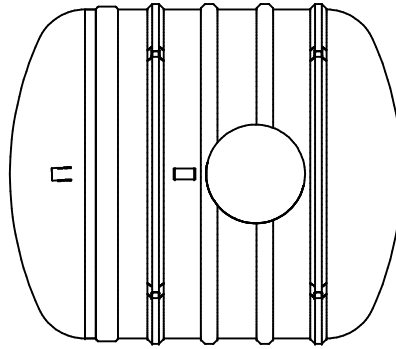


Parts List			
ITEM	QTY	PART NUMBER	DESCRIPTION
1	1	C-COLLAR-30IN	30"D COLLAR
2	1	LIFT-LUG-C	LIFT LUG
3	1	C-SEAM-10FT	SEAM
4	2	C-RIB	STRUCTURAL RIB
5	2	C-RIB-GUIDE	STRUCTURAL RIB W/ ANCHOR GUIDE
6	1	C-LID-30IN-STD	30"D STANDARD LID



SECTIONAL JOINT DETAIL A  
SCALE 1/25

OPTIONAL	PARTS
30"X12" EXTENSION	ANCHORS
30"X30" EXTENSION	FOAM INSULATION
30"X60" EXTENSION	LOCK BAR
30"X84" EXTENSION	OPTIONAL FITTING(S)
ALARM	PUMP STAND

DRAWN MPS	1/25/2008
CHECKED	
QA	
MFG DCL	
APPROVED DCL	
WEIGHT 932 kg (2,050 lbs)	LENGTH 11' 10"
CAPACITY 22,730L (5,000 IG, 6,000 USG)	

TITLE BX5000S UNDERGROUND FIBREGLASS SEWAGE HOLDING TANK	
SIZE C	DWG NO BX5000S
SCALE	REV 1