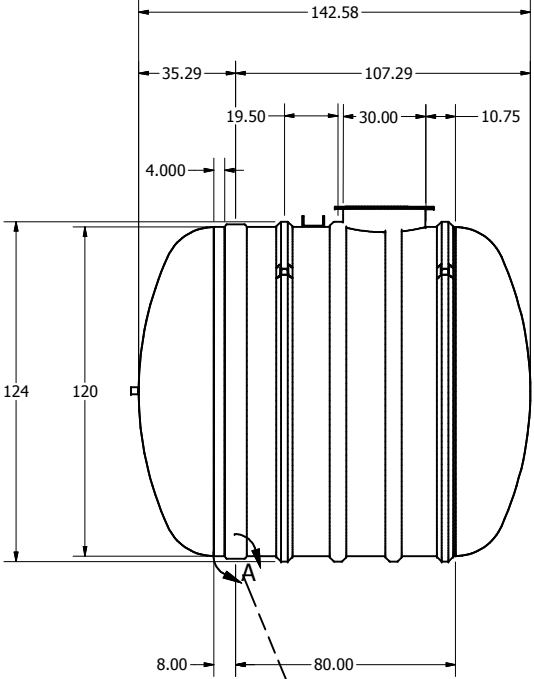
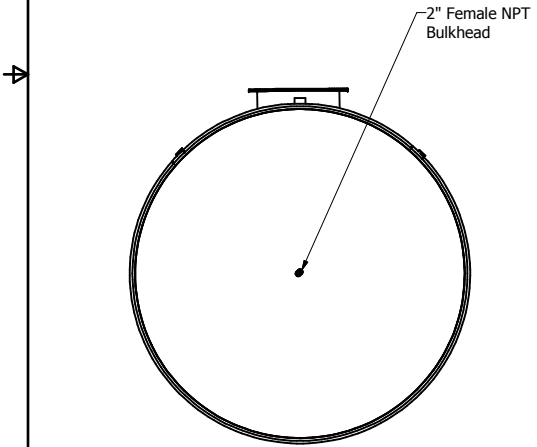
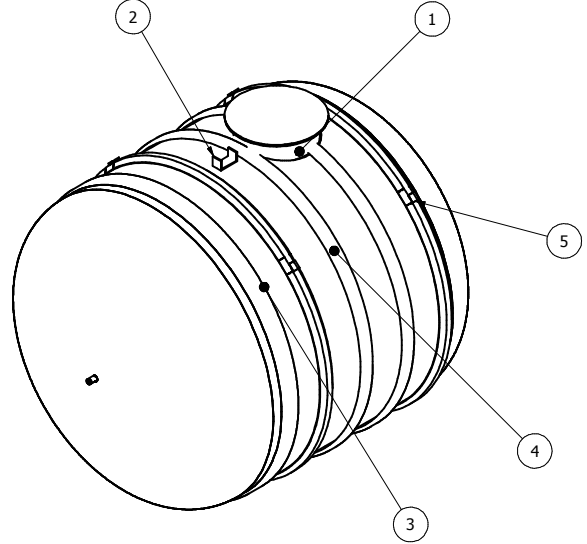
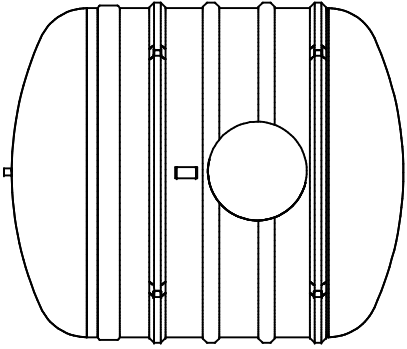


Parts List			
ITEM	QTY	PART NUMBER	DESCRIPTION
1	1	C-COLLAR-30IN	30"D COLLAR
2	1	LIFT-LUG-C	LIFT LUG
3	1	C-SEAM-10FT	SEAM
4	2	C-RIB	STRUCTURAL RIB
5	2	C-RIB-GUIDE	STRUCTURAL RIB W/ ANCHOR GUIDE



6mm x 200mm min. FRP bond on Outside

SECTIONAL JOINT DETAIL A  
SCALE 1/25

OPTIONAL	PARTS
30"X12" EXTENSION	ANCHORS
30"X30" EXTENSION	FOAM INSULATION
30"X60" EXTENSION	LOCK BAR
30"X84" EXTENSION	OPTIONAL FITTING(S)
ALARM	PUMP STAND

DRAWN	MPS	2/26/2008
CHECKED		
QA		
MFG	DCL	
APPROVED	DCL	
WEIGHT	932 kg (2,050 lbs)	LENGTH
OVERALL CAPACITY	22,730L (5,000 IG, 6,000 USG)	11' 10"

TITLE		BX5000W UNDERGROUND FIBREGLASS WATER CISTERN	
			
Drinking Water NSF/ANSI 61		SIZE	REV
C		DWG NO	1
SCALE		BX5000W	
		SHEET 1 OF 1	