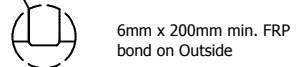
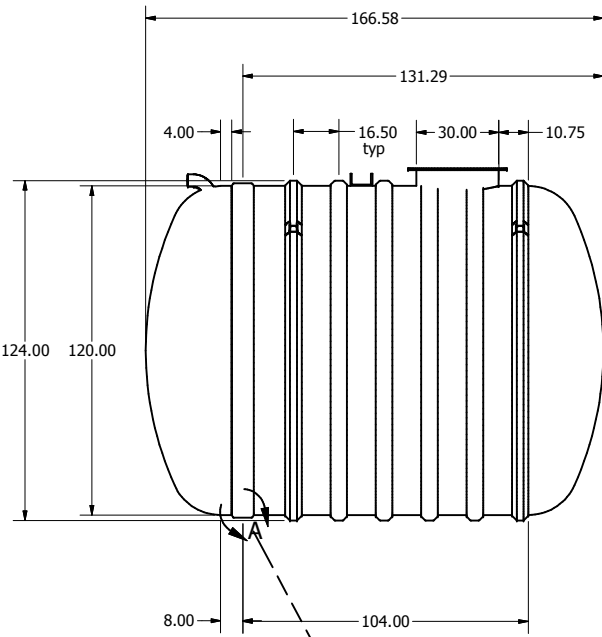
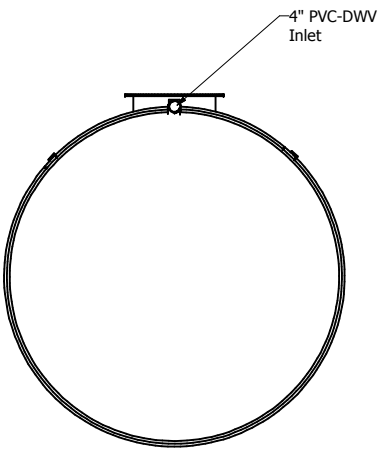
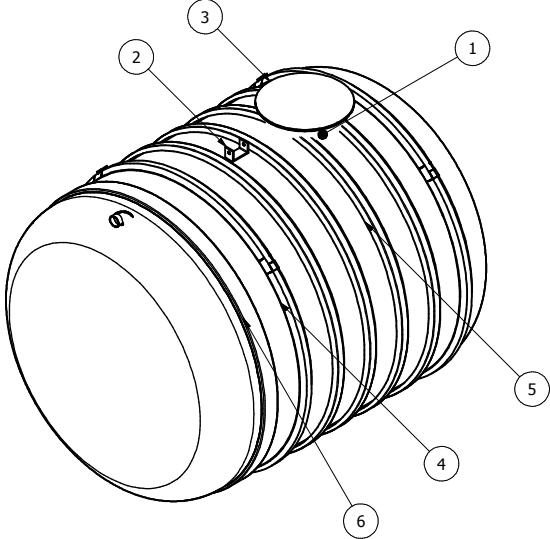
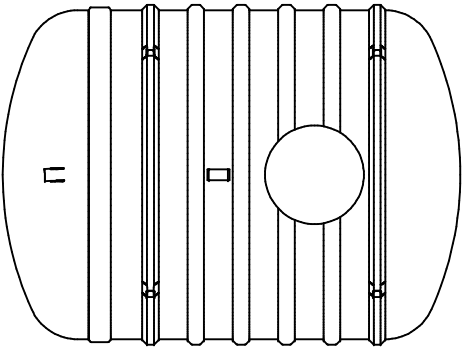


Parts List			
ITEM	QTY	PART NUMBER	DESCRIPTION
1	1	C-COLLAR-30IN	30"D COLLAR
2	1	LIFT-LUG-C	LIFT LUG
3	1	C-LID-30IN-STD	30"D STANDARD LID
4	2	C-RIB-GUIDE	STURCTURAL RIB W/ ANCHOR GUIDE
5	4	C-RIB	STRUCTURAL RIB
6	1	C-SEAM-10FT	SEAM



SECTIONAL JOINT DETAIL A  
SCALE 1/25

OPTIONAL	PARTS
<input type="checkbox"/> 30"X12" EXTENSION	<input type="checkbox"/> ANCHORS
<input type="checkbox"/> 30"X30" EXTENSION	<input type="checkbox"/> FOAM INSULATION
<input type="checkbox"/> 30"X60" EXTENSION	<input type="checkbox"/> LOCK BAR
<input type="checkbox"/> 30"X84" EXTENSION	<input type="checkbox"/> OPTIONAL FITTING(S)
<input type="checkbox"/> ALARM	<input type="checkbox"/> PUMP STAND

DRAWN	MPS	2/1/2008
CHECKED		
QA		
MFG		
DCL		
APPROVED		
DCL		
WEIGHT	1,045 kg (2,300 lbs)	LENGTH 13' 11"
OVERALL CAPACITY	27,276L (6,000 IG, 7,200 USG)	

TITLE BX6000S UNDERGROUND FIBREGLASS SEWAGE HOLDING TANK		
	SIZE C	DWG NO BX6000S
SCALE		REV 1
SHEET 1 OF 1		