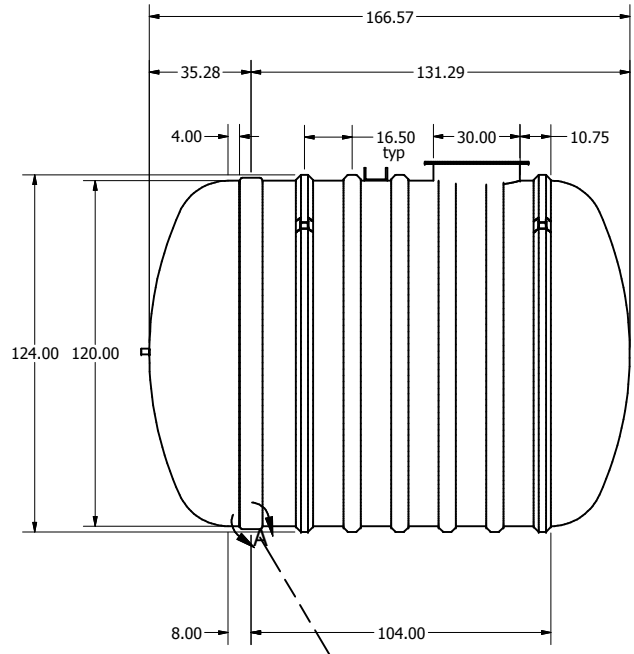
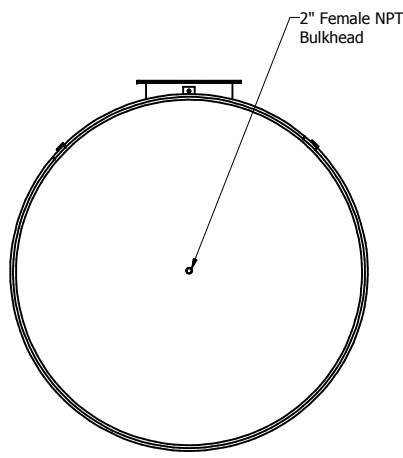
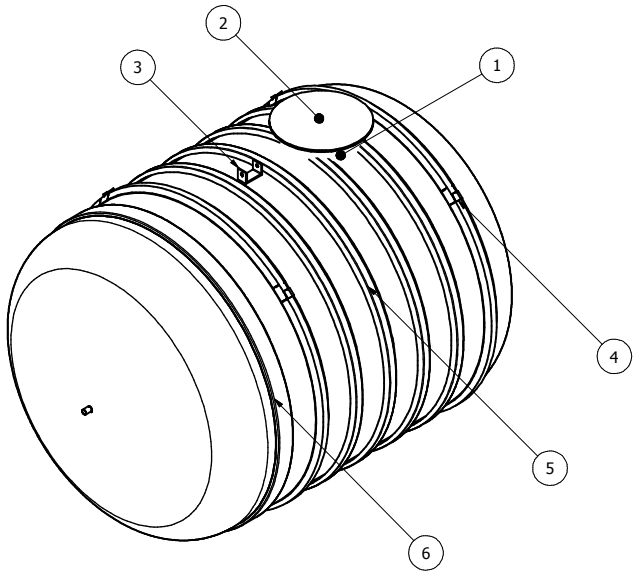
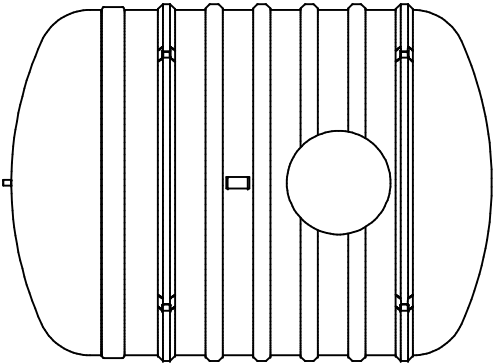


Parts List			
ITEM	QTY	PART NUMBER	DESCRIPTION
1	1	C-COLLAR-30IN	30"D COLLAR
2	1	C-LID-30IN-STD	30"D STANDARD LID
3	1	LIFT-LUG-C	LIFT LUG
4	2	C-RIB-GUIDE	STURUCTURAL RIB W/ ANCHOR GUIDE
5	4	C-RIB	STRUCTURAL RIB
6	1	C-SEAM-10FT	SEAM



6mm x 200mm min. FRP bond on Outside

SECTIONAL JOINT DETAIL A
SCALE 1/25

OPTIONAL	PARTS
30"X12" EXTENSION	ANCHORS
30"X30" EXTENSION	FOAM INSULATION
30"X60" EXTENSION	LOCK BAR
30"X84" EXTENSION	OPTIONAL FITTING(S)
ALARM	PUMP STAND

DRAWN MPS	2/27/2008	TITLE BX6000W UNDERGROUND FIBREGLASS WATER CISTERN	
CHECKED			
QA			
MFG DCL			
APPROVED DCL			
WEIGHT 1,045 kg (2,300 lbs)	LENGTH 13' 11"	 Drinking Water NSF/ANSI 61	
OVERALL CAPACITY 27,276L (6,000 IG, 7,200 USG)	SCALE	SIZE C	DWG NO BX6000W
			REV 1