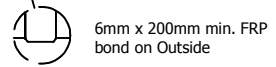
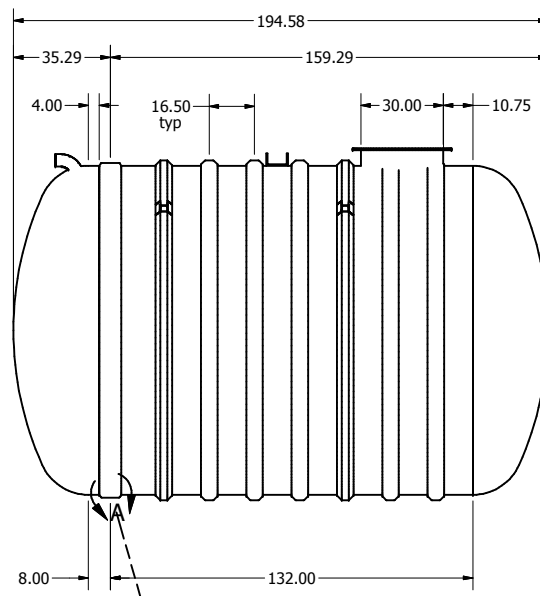
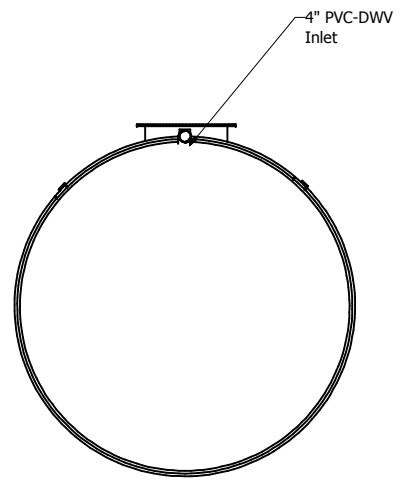
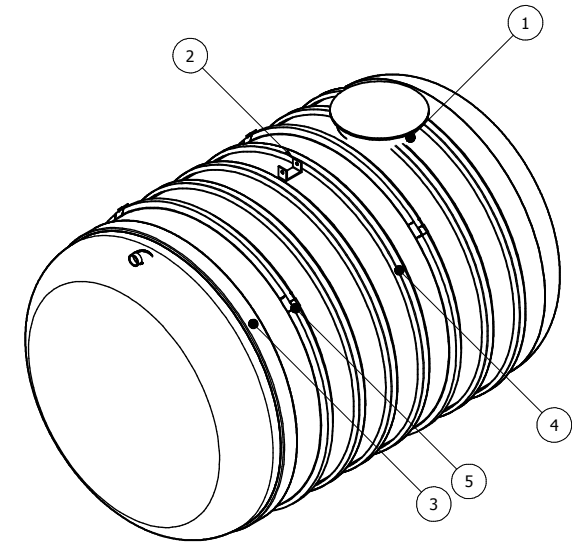
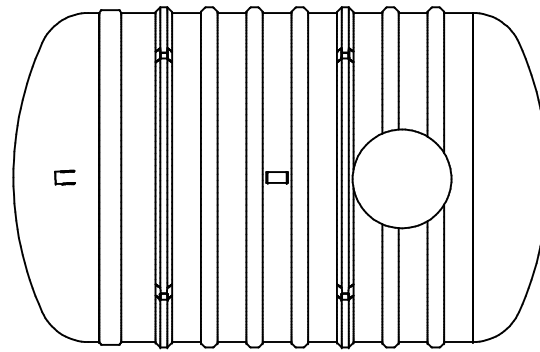




| Parts List |     |               |                                  |
|------------|-----|---------------|----------------------------------|
| ITEM       | QTY | PART NUMBER   | DESCRIPTION                      |
| 1          | 1   | C-COLLAR-30IN | 30"D COLLAR                      |
| 2          | 1   | LIFT-LUG-C    | LIFT LUG                         |
| 3          | 1   | C-SEAM-10FT   | SEAM                             |
| 4          | 5   | C-RIB         | STRUCTURAL RIB                   |
| 5          | 2   | C-RIB-GUIDE   | STRUCTURAL RIB WITH ANCHOR GUIDE |



SECTIONAL JOINT DETAIL A  
SCALE 1/25

| OPTIONAL          | PARTS               |
|-------------------|---------------------|
| 30"X12" EXTENSION | ANCHORS             |
| 30"X30" EXTENSION | FOAM INSULATION     |
| 30"X60" EXTENSION | LOCK BAR            |
| 30"X84" EXTENSION | OPTIONAL FITTING(S) |
| ALARM             | PUMP STAND          |

|                                                   |                  |                                                                                                                                                                             |              |
|---------------------------------------------------|------------------|-----------------------------------------------------------------------------------------------------------------------------------------------------------------------------|--------------|
| DRAWN<br>MPS                                      | 2/1/2008         | TITLE<br>BX7000S UNDERGROUND FIBREGLASS<br>SEWAGE HOLDING TANK                                                                                                              |              |
| CHECKED                                           |                  |   |              |
| QA                                                |                  |                                                                                                                                                                             | SIZE<br>C    |
| MFG<br>DCL                                        |                  | DWG NO<br>BX7000S                                                                                                                                                           |              |
| APPROVED<br>DCL                                   |                  | SCALE                                                                                                                                                                       |              |
| WEIGHT<br>1,159 kg (2,550 lbs)                    | LENGTH<br>16' 1" |                                                                                                                                                                             |              |
| OVERALL CAPACITY<br>31,822L (7,000 IG, 8,400 USG) |                  |                                                                                                                                                                             | SHEET 1 OF 1 |