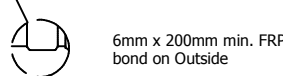
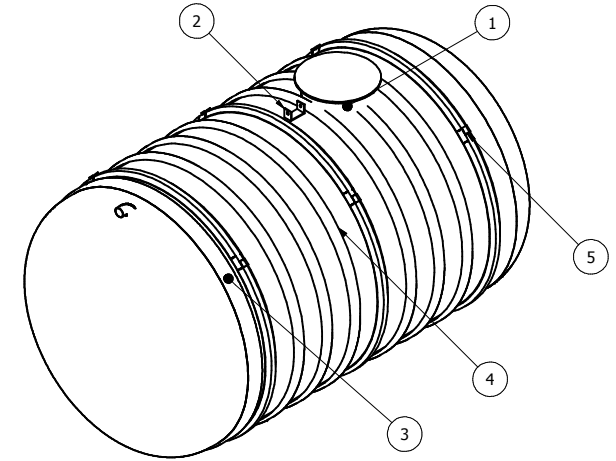
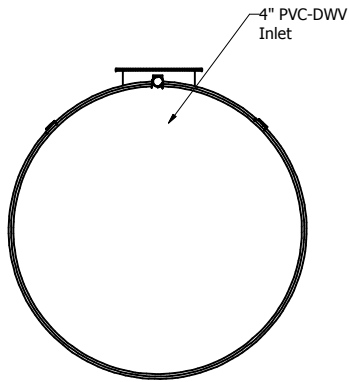
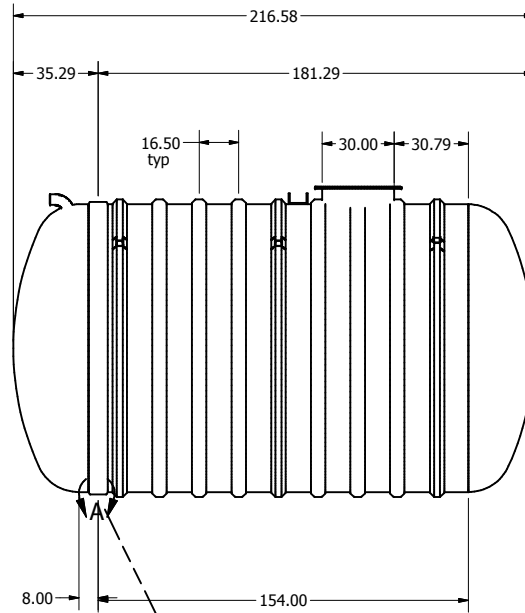
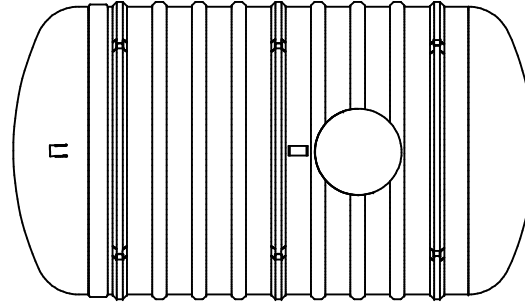


Parts List			
ITEM	QTY	PART NUMBER	DESCRIPTION
1	1	C-COLLAR-30IN	30"D COLLAR
2	2	LIFT-LUG-C	LIFT LUG
3	1	C-SEAM-10FT	SEAM
4	6	C-RIB	STRUCTURAL RIB
5	3	C-RIB-GUIDE	STURUCTURAL RIB WITH ANCHOR GUIDE



SECTIONAL JOINT DETAIL A  
SCALE 1/25

OPTIONAL	PARTS
30"X12" EXTENSION	ANCHORS
30"X30" EXTENSION	FOAM INSULATION
30"X60" EXTENSION	LOCK BAR
30"X84" EXTENSION	OPTIONAL FITTING(S)
ALARM	PUMP STAND

DRAWN MPS	2/1/2008
CHECKED	
QA	
MFG DCL	
APPROVED DCL	
WEIGHT 1,273 kg (2,800 lbs)	LENGTH 18' 1"
OVERALL CAPACITY 36,368L (8,000 IG, 9,600 USG)	

TITLE BX8000S UNDERGROUND FIBREGLASS SEWAGE HOLDING TANK	
SIZE C	DWG NO BX8000S
SCALE	REV 1