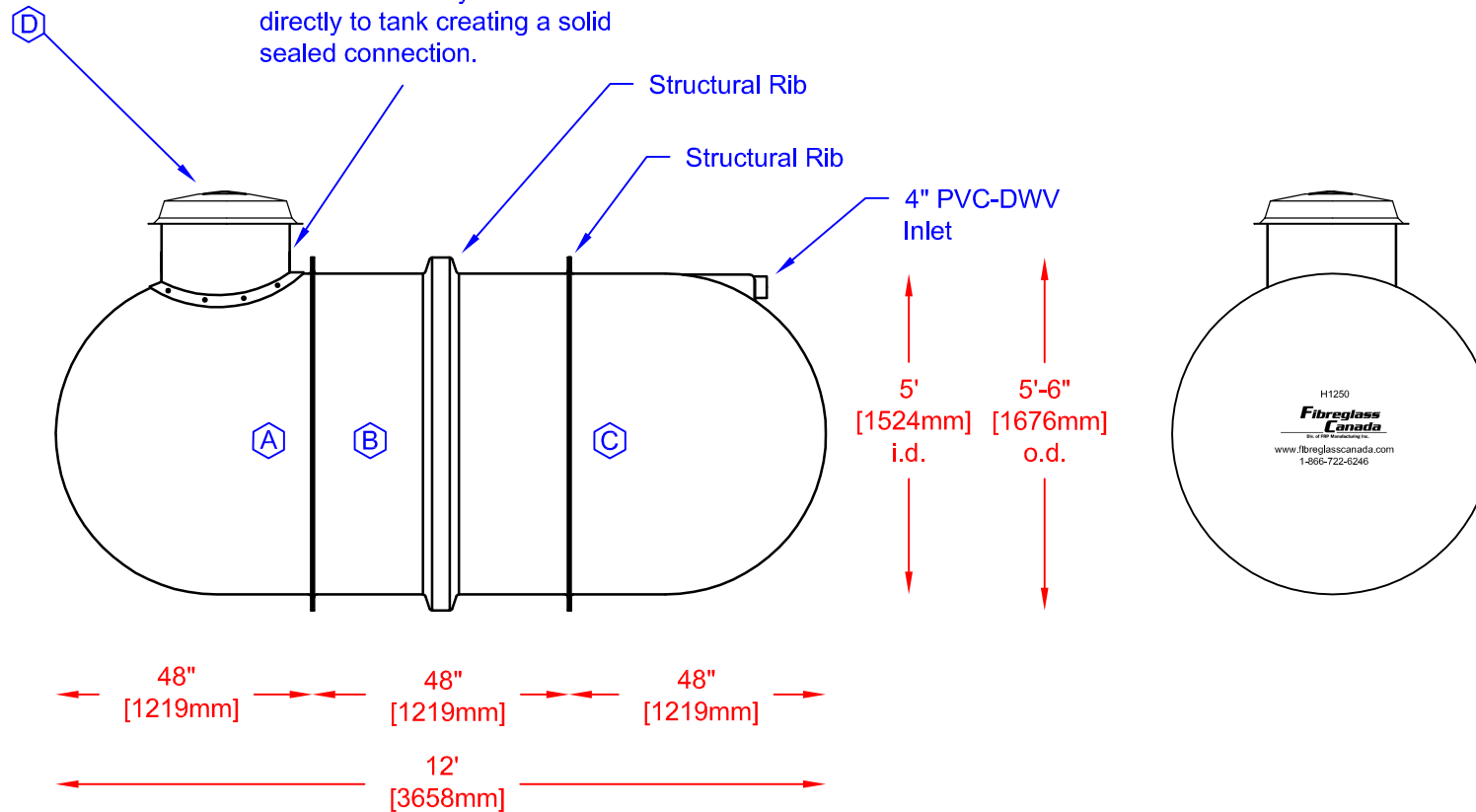



MATERIALS LIST					
ITEM	QTY	DESCRIPTION	ITEM	QTY	DESCRIPTION
A	1	C-MAN-375S-END	B	1	C-INS-500S-5FT-RD
C	1	C-INLET-375S-END	D	1	C-LID-24IN-STD-W/8" POLY NONVENTED LID

One piece manway is available in 12", 30", 60", and 84" size. Manway attaches directly to tank creating a solid sealed connection.



 Div. of FRP Manufacturing Inc.	H-1250 FIBREGLASS SEWAGE HOLDING TANK		DATE: 04-17-2007	DWG SCALE:
	Overall Length:	Approx. 3,658mm (12')	BY: MARK SOLLID	REV: 0
	Overall Weight:	Approx. 223 kg (490 lbs)	DATE:	
	Overall Capacity:	Approx. 5,680L (1,250 Imp Gal, 1,500 US Gal)	APPROVAL:	

