

Fibreglass Canada

Div. of FRP Manufacturing Inc.

P-1250 UNDERGROUND FIBREGLASS PUMP-OUT SEWAGE TANK

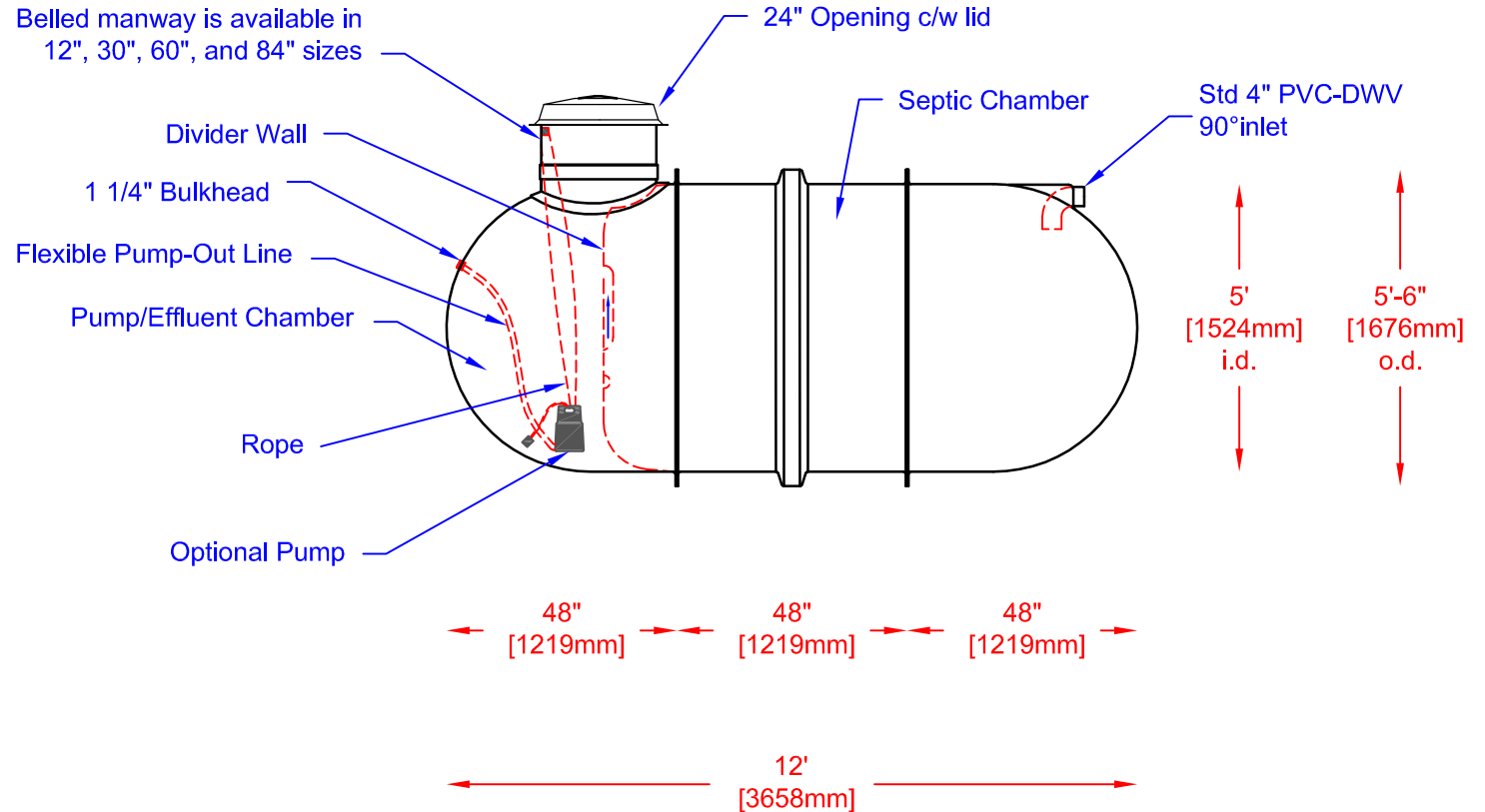
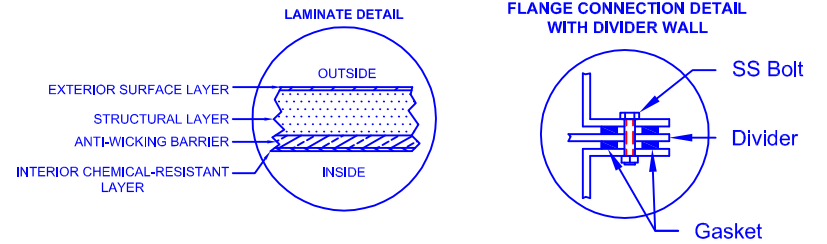
Overall Length: Approx. 3658 mm (12')

Overall Weight: Approx. 268 kg (590 lbs)

Overall Capacity:

Septic Chamber: Approx. 4,177 L (920 Imp Gal, 1,104 US Gal)

Effluent Chamber: Approx. 726 L (160 Imp Gal, 192 US Gal)



Approval: _____

Date: _____

REV: SEPT 2007