

# Fibreglass Canada

Div. of FRP Manufacturing Inc.

## P-1750 UNDERGROUND FIBREGLASS PUMP-OUT SEWAGE TANK

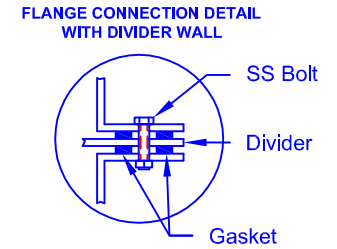
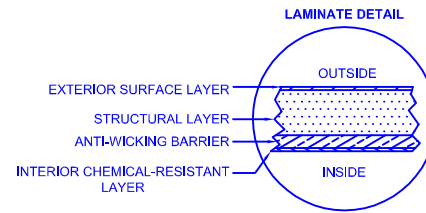
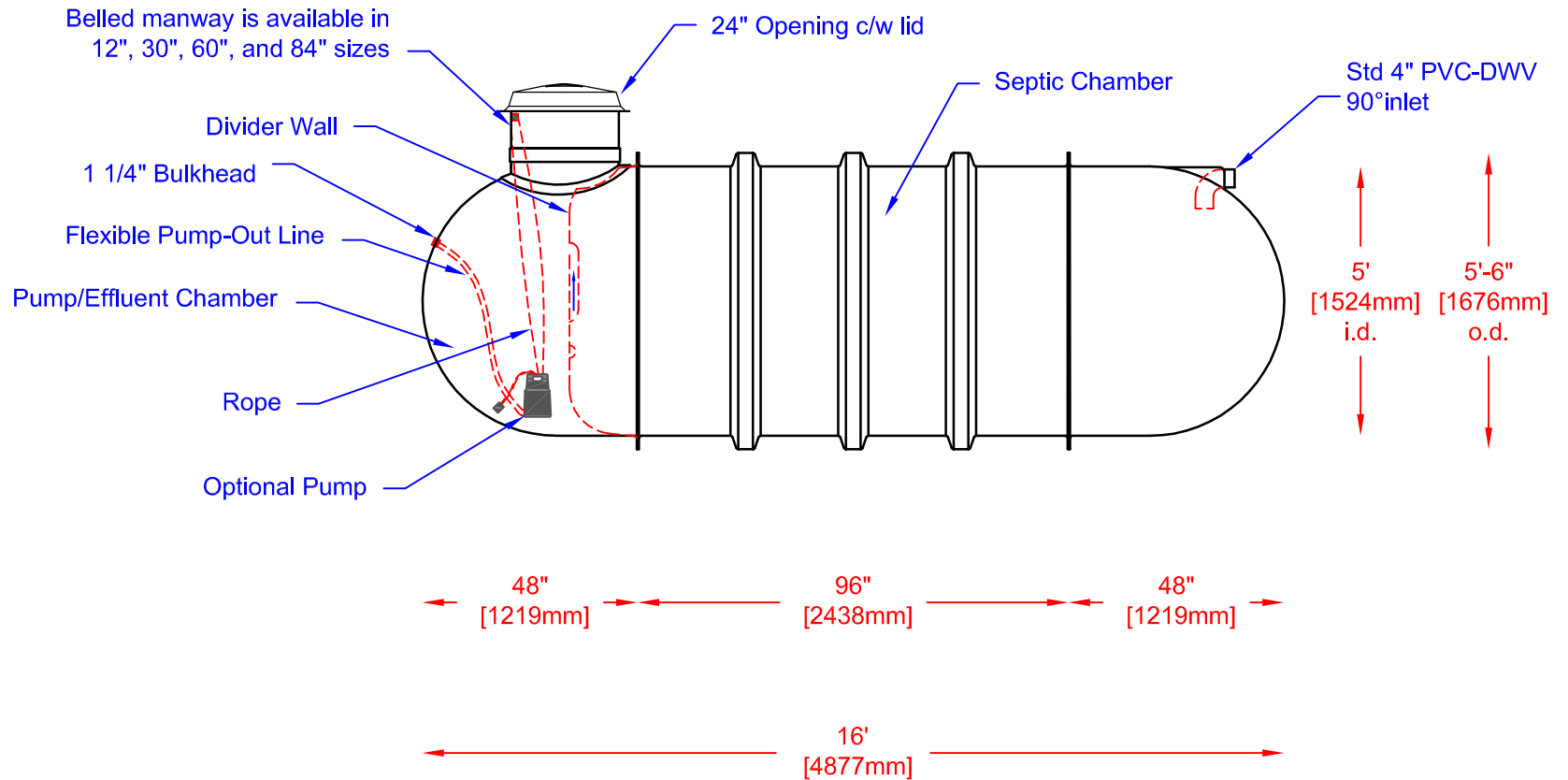
Overall Length: Approx. 4,877 mm (16')

Overall Weight: Approx. 359 kg (790 lbs)

Overall Capacity:

Septic Chamber: Approx. 6,083 L (1,340 Imp Gal, 1,608 US Gal)

Effluent Chamber: Approx. 726 L (160 Imp Gal, 192 US Gal)



Approval: \_\_\_\_\_

Date: \_\_\_\_\_

REV: SEPT 2007