

Fibreglass Canada

Div. of FRP Manufacturing Inc.

P-2000 UNDERGROUND FIBREGLASS PUMP-OUT SEWAGE TANK

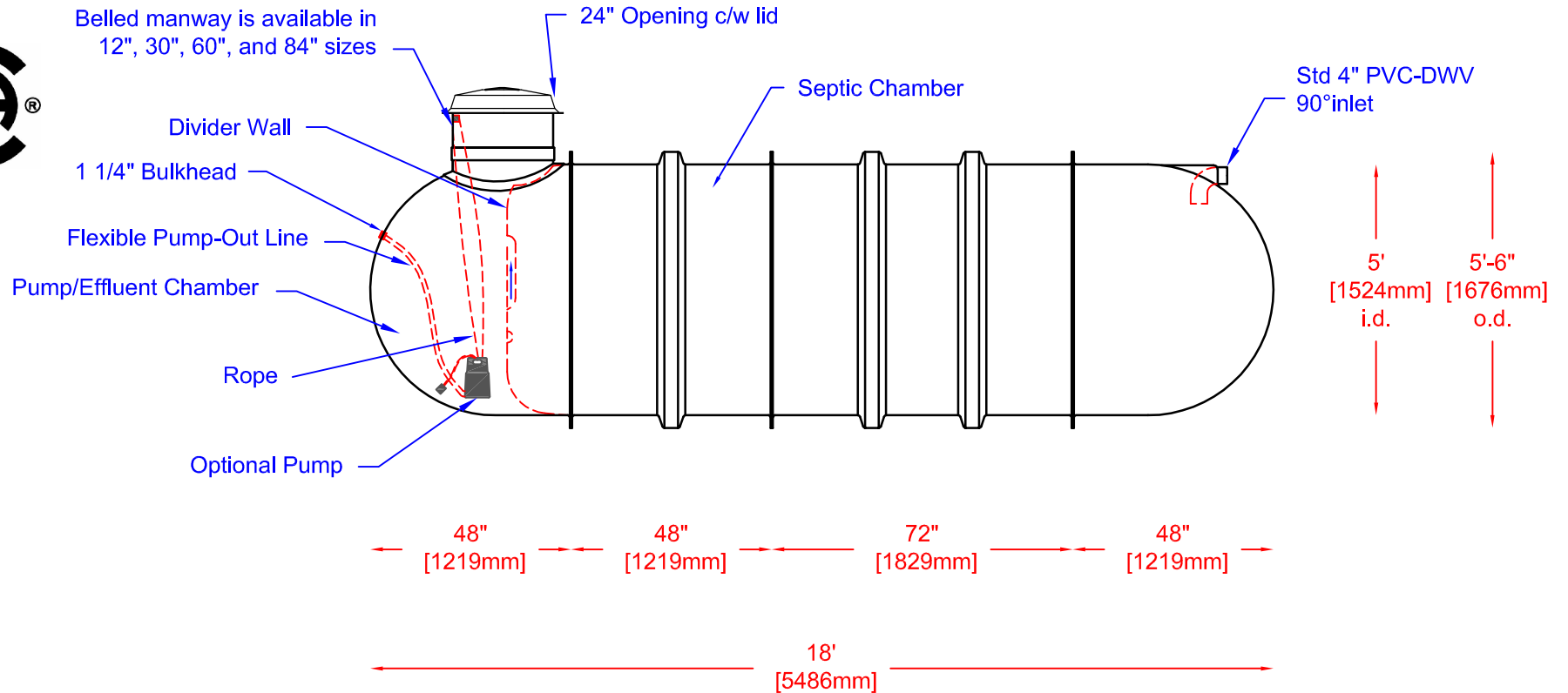
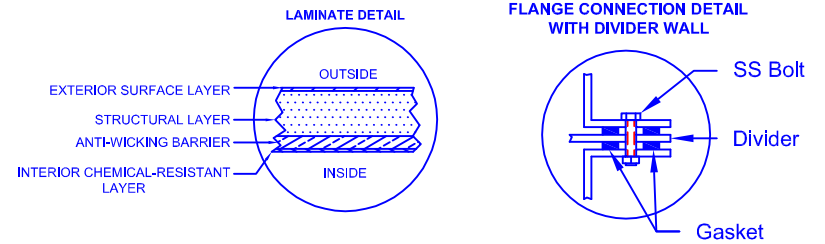
Overall Length: Approx. 5,486 mm (18')

Overall Weight: Approx. 405 kg (890 lbs)

Overall Capacity:

Septic Chamber: Approx. 7,037 L (1550 Imp Gal, 1,860 US Gal)

Effluent Chamber: Approx. 726 L (160 Imp Gal, 192 US Gal)



Approval: _____

Date: _____

REV: SEPT 2007