



S-1500 UNDERGROUND FIBREGLASS SYPHON SEWAGE TANK

Overall Length: Approx. 4,267 mm (14')

Overall Weight: Approx. 318 kg (700 lbs)

Overall Capacity:

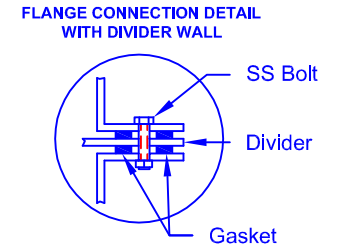
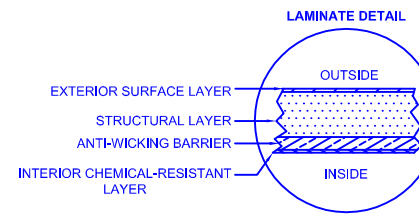
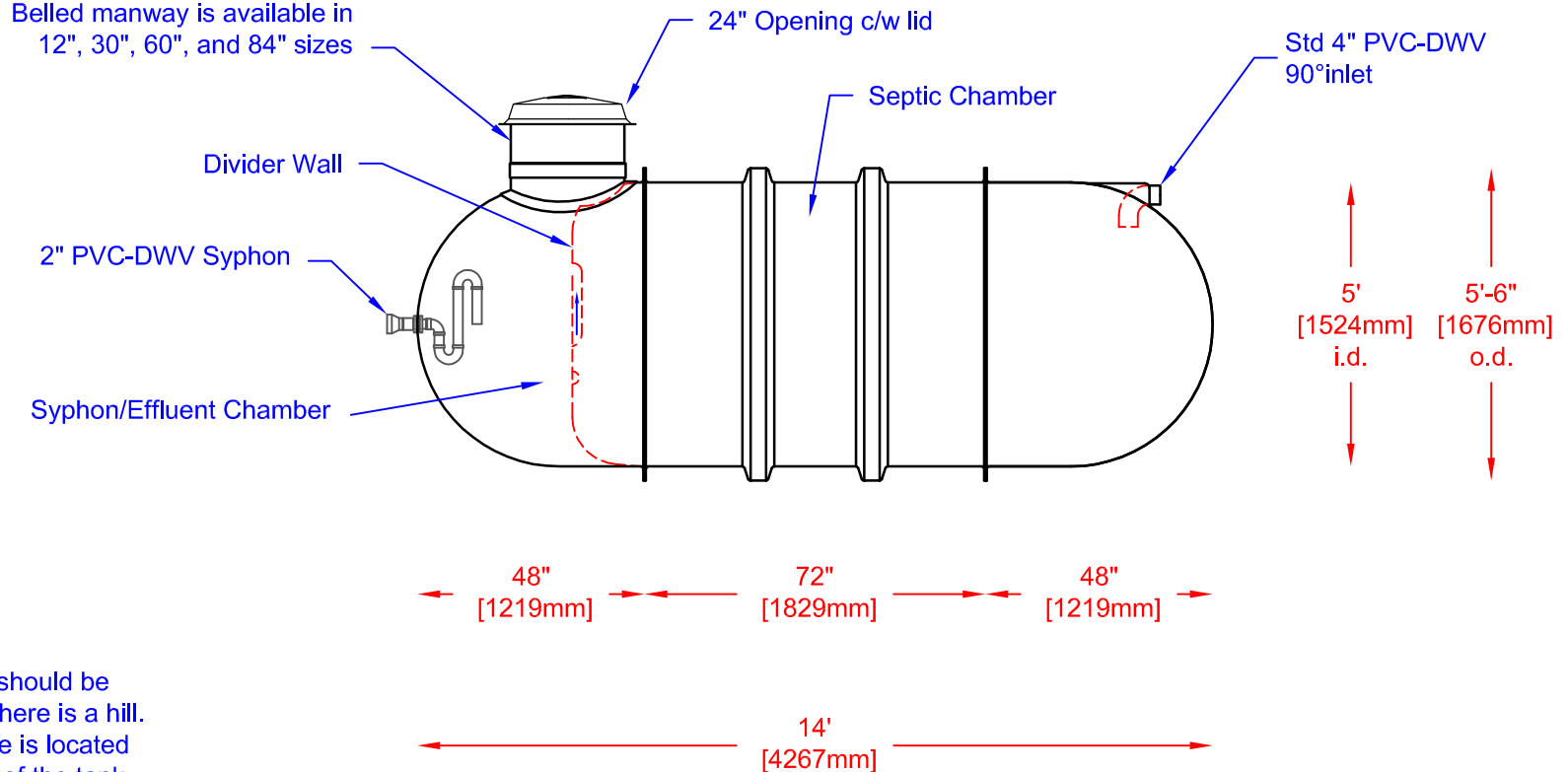
Septic Chamber: Approx. 5,130 L (1,130 Imp Gal, 1,356 US Gal)

Effluent Chamber: Approx. 726 L (160 Imp Gal, 192 US Gal)

Flush Volume: Approx. 340 L (75 Imp Gal, 90 US Gal)



Belled manway is available in
12", 30", 60", and 84" sizes



Note: A syphon tank should be installed only where there is a hill. The syphon discharge is located 2' 6" from the bottom of the tank.

Approval: _____

Date: _____

REV: JULY 2008