

Fibreglass Canada

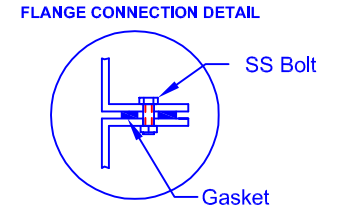
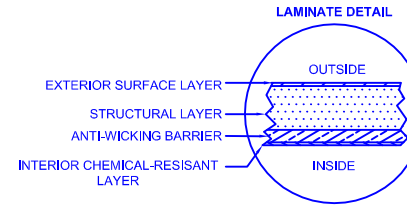
Div. of FRP Manufacturing Inc.

W-1000 UNDERGROUND FIBREGLASS WATER CISTERN

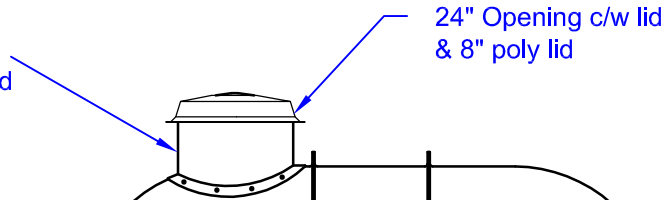
Overall Length: Approx. 3,048 mm (10')

Overall Weight: Approx. 177 kg (390 lbs)

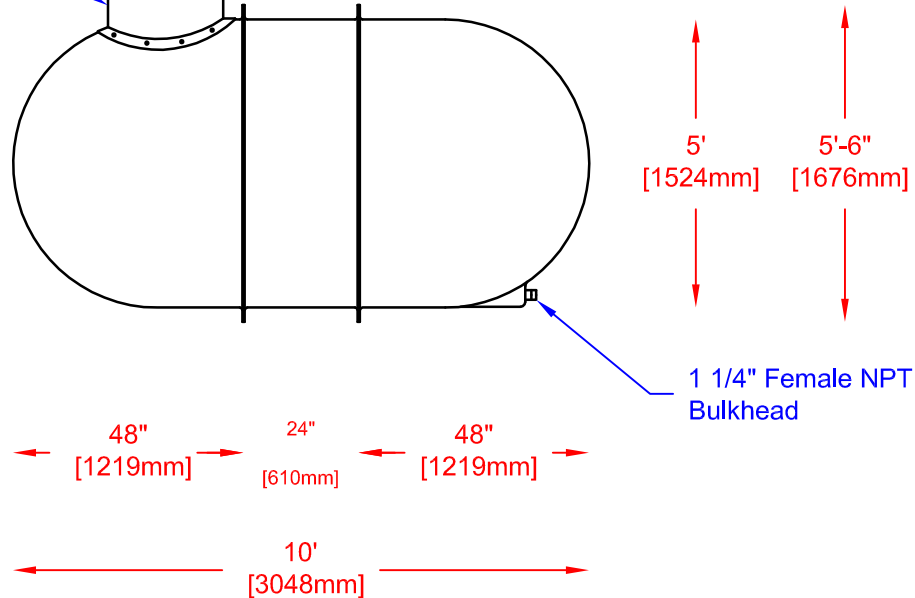
Overall Capacity: Approx. 4,546L (1,000 Imp Gal, 1,200 US Gal)



One piece manway is available in 12", 30", 60", and 84" size. Manway attaches directly to tank creating a solid sealed connection.



Drinking Water
NSF/ANSI 61



Water cisterns have a gloss interior for purity of water and prevention of bacterial growth.