

Fibreglass Canada

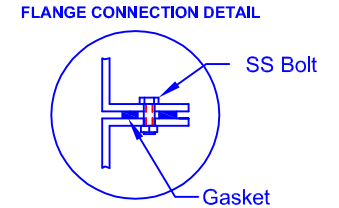
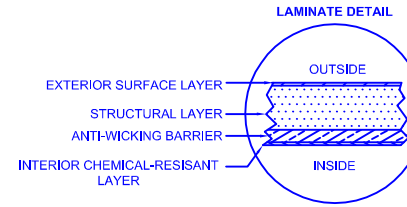
Div. of FRP Manufacturing Inc.

W-1750 UNDERGROUND FIBREGLASS WATER CISTERN

Overall Length: Approx. 4,877 mm (16')

Overall Weight: Approx. 313kg (690 lbs)

Overall Capacity: Approx. 7,955 L (1,750 Imp Gal, 2,100 US Gal)

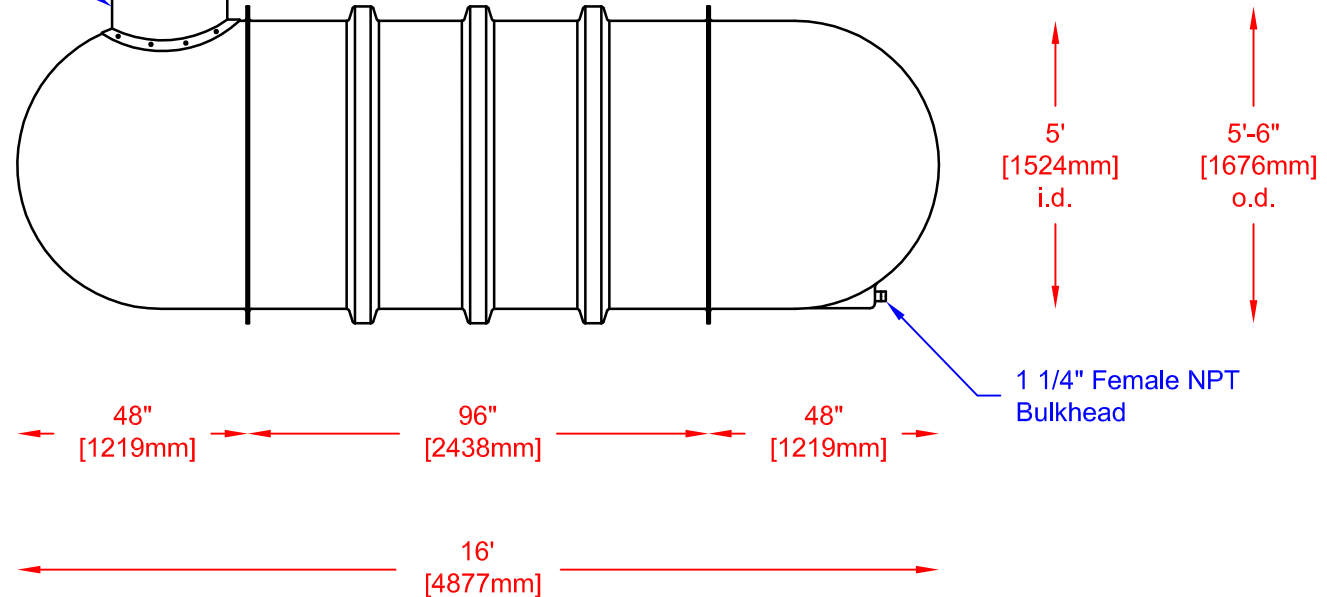


One piece manway is available in 12", 30", 60", and 84" size. Manway attaches directly to tank creating a solid sealed connection.

24" Opening c/w lid & 8" poly lid



Drinking Water
NSF/ANSI 61



Water cisterns have a gloss interior for purity of water and prevention of bacterial growth.