

Fibreglass Canada

Div. of FRP Manufacturing Inc.

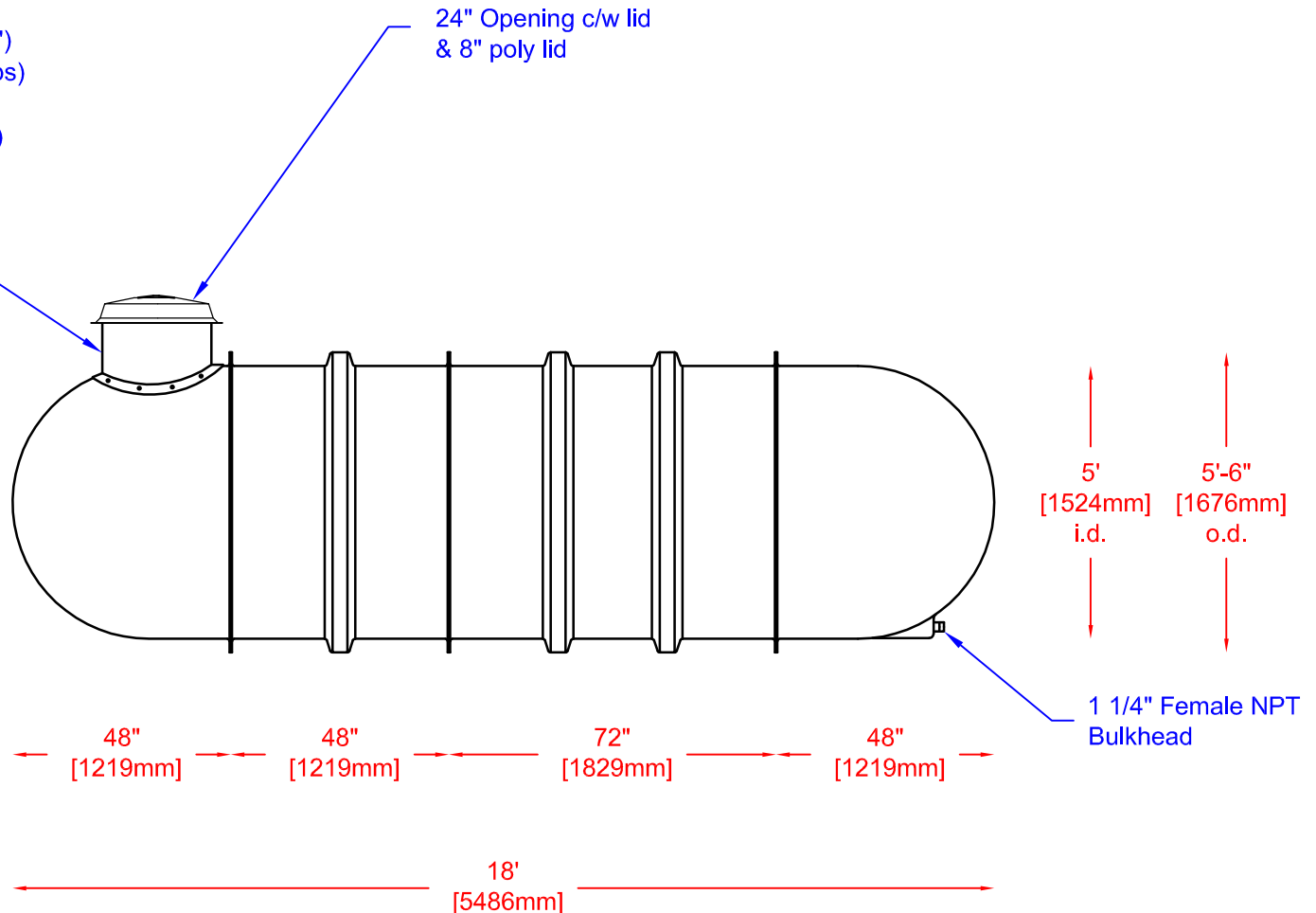
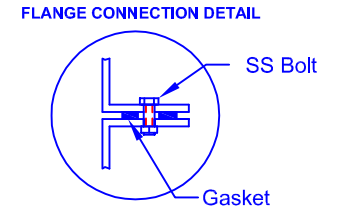
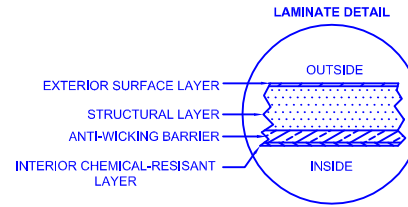
W-2000 UNDERGROUND FIBREGLASS WATER CISTERN

Overall Length: Approx. 5,486 mm (18')
 Overall Weight: Approx. 359 kg (790 lbs)
 Overall Capacity: Approx:
 9,092 L (2,000 Imp Gal, 2,400 US Gal)

One piece manway is available in 12", 30", 60", and 84" size. Manway attaches directly to tank creating a solid sealed connection.



Drinking Water
NSF/ANSI 61



Water cisterns have a gloss interior for purity of water and prevention of bacterial growth.