

Fibreglass Canada

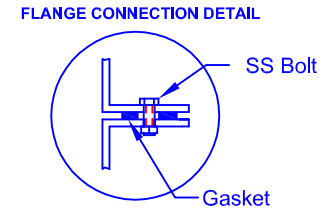
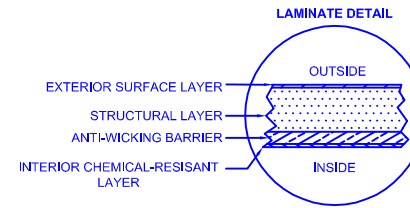
Div. of FRP Manufacturing Inc.

W-750 UNDERGROUND FIBREGLASS WATER CISTERN

Overall Length: Approx. 2,438 mm (8')

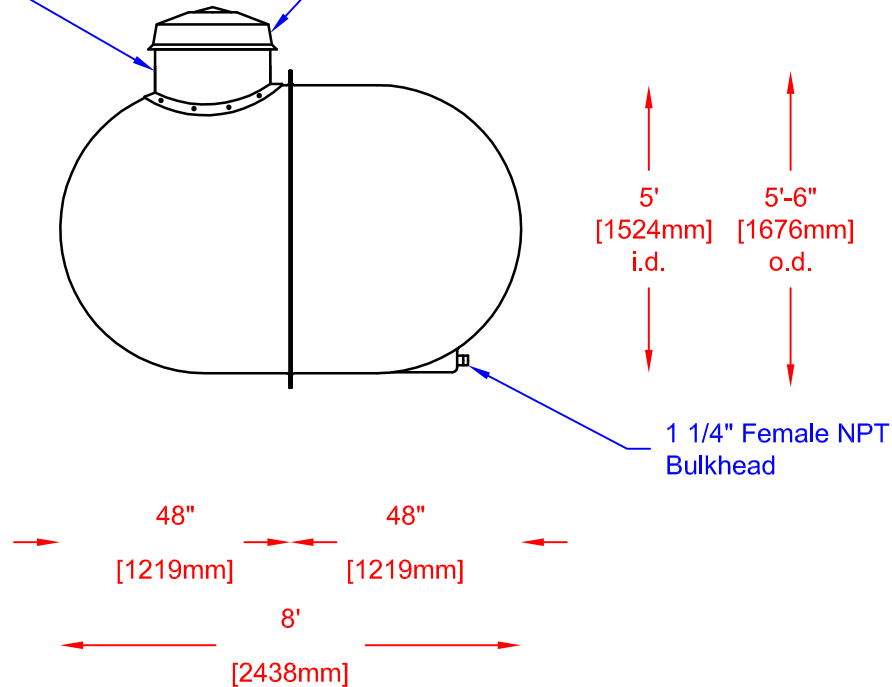
Overall Weight: Approx. 132 kg (290 lbs)

Overall Capacity: Approx 3,410 L (750 Imp Gal, 900 US Gal)



One piece manway is available in 12", 30", 60", and 84" size. Manway attaches directly to tank creating a solid sealed connection.

24" Opening c/w lid & 8" poly lid



Drinking Water
NSF/ANSI 61

Water cisterns have a gloss interior for purity of water and prevention of bacterial growth.