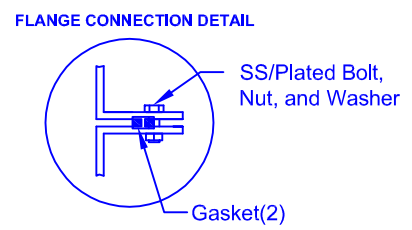
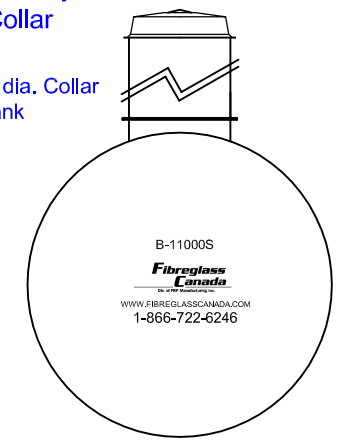
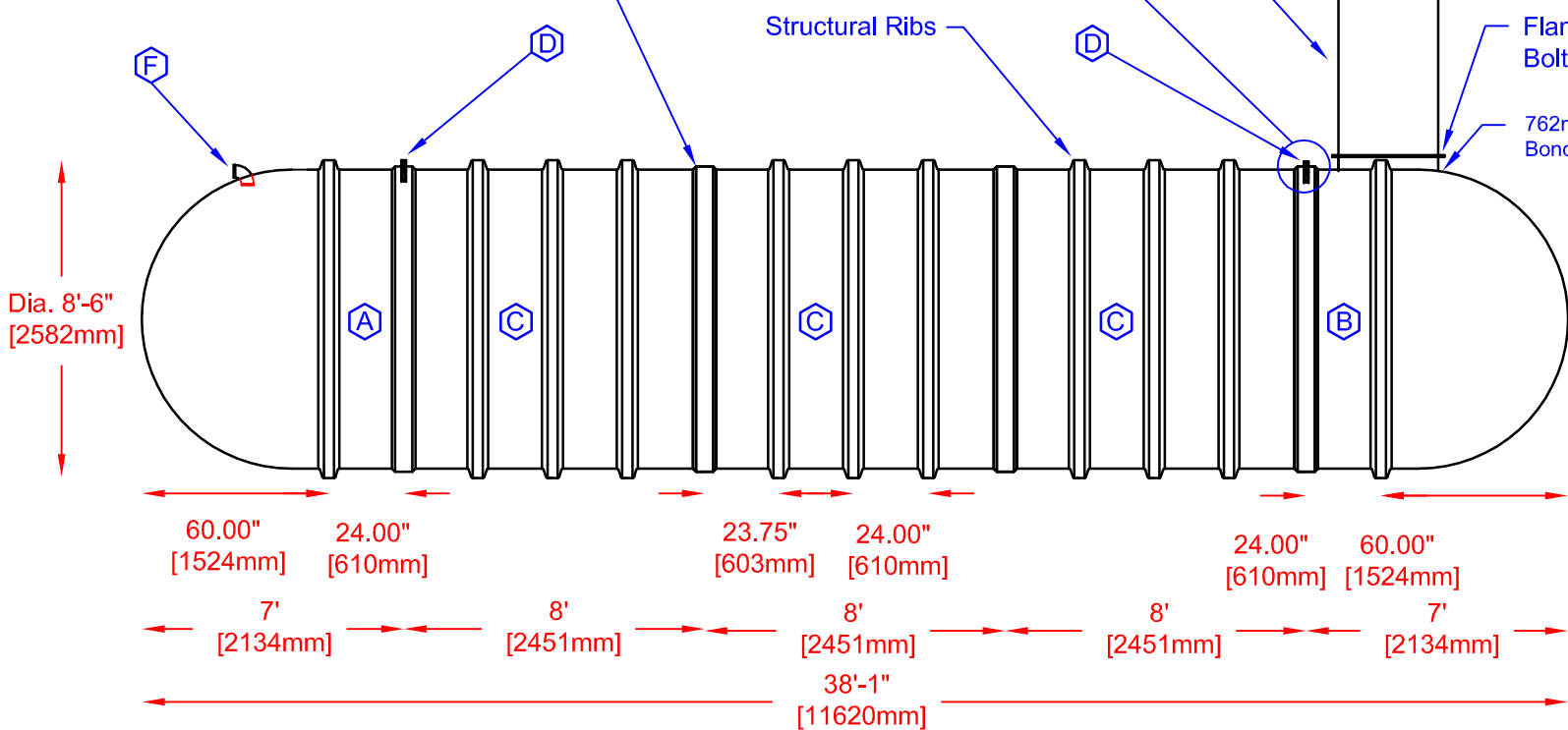
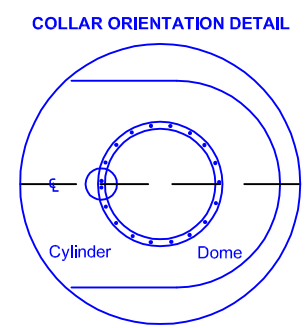


MATERIALS LIST					
ITEM	QTY	DESCRIPTION	ITEM	QTY	DESCRIPTION
A	1	C-DOME-8-1750S	B	1	C-DOME-8-1750S-30COL
C	3	C-CYL-2500-S-W/BELL	D	4	STEEL LIFTING LUG
E	1	C-LID-30IN-STD-W/8" POLY NONVENTED LID	F	1	4" PVC-DWV ELBOW - INLET

* TANK COMES FULLY ASSEMBLED FROM FACTORY *



Optional Manway:
762 mm (30") dia. X
305, 762, 1524 or 2134 mm
(12, 30, 60 or 84") height



Various fittings available including bulkhead fittings, pipe, flanged fittings, vents, etc. at extra cost.

Accessories available such as pump stand, divider wall(s), 2nd manway, lock bar for lid, etc. at extra cost.

<p>Div. of FRP Manufacturing Inc.</p>	B-11000(S) FIBREGLASS SEWAGE HOLDING TANK		DATE: 05-15-2007	DWG SCALE:
	Overall Length:	Approx. 11,620mm (38' 1")	BY: MARK SOLLID	REV: 0
	Overall Weight:	Approx. 1,909 kg (4,200 lbs)	DATE:	
	Overall Capacity:	Approx. 50,006L (11,000 Imp Gal, 13,200 US Gal)	APPROVAL:	

