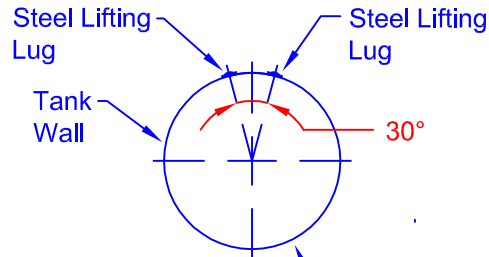
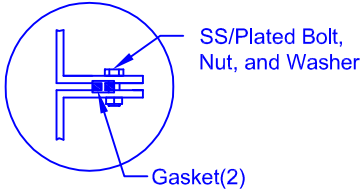


LIFTING LUG DETAIL



FLANGE CONNECTION DETAIL



SECTION-JOINT DETAIL

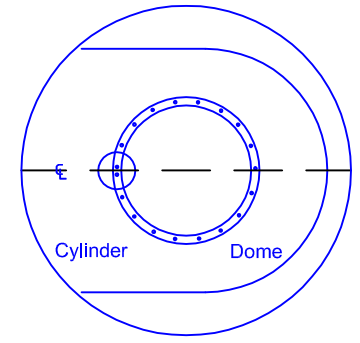


MATERIALS LIST

| ITEM | QTY | DESCRIPTION | ITEM | QTY | DESCRIPTION |
|------|-----|--|------|-----|----------------------|
| (A) | 1 | C-DOME-8-1750S | (E) | 1 | C-DOME-8-1750S-30COL |
| (C) | 1 | C-CYL-2500-S-W/BELL | (D) | 3 | C-CYL-3000-S-W/BELL |
| (E) | 4 | STEEL LIFTING LUG | (F) | 1 | 4" PVC-DWV ELBOW |
| (G) | 1 | C-LID-30IN-STD-W/8" POLY NONVENTED LID | | | |

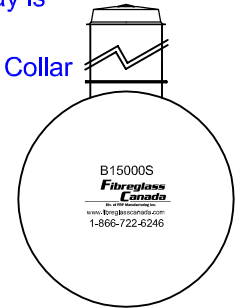
* TANK COMES FULLY ASSEMBLED FROM FACTORY *

COLLAR ORIENTATION DETAIL



Optional Manway:
762 mm (30") dia. X
305, 762, 1524 or 2134 mm
(12, 30, 60 or 84") height

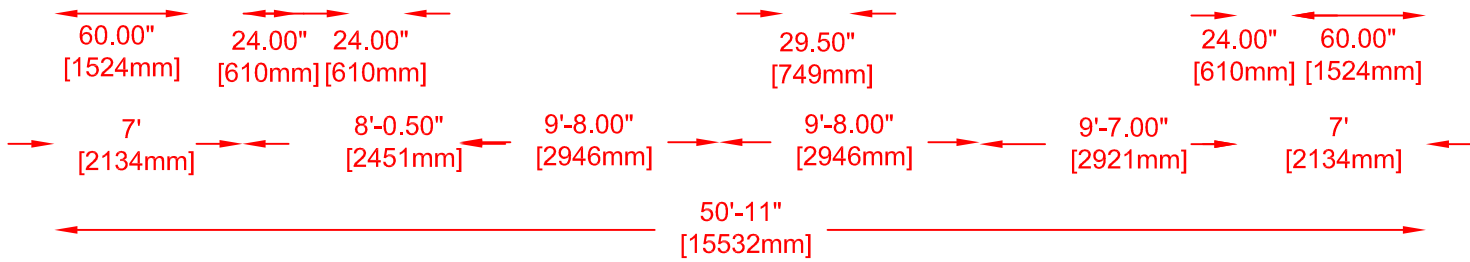
Flanged Manway is Bolted to Collar
762mm (30") dia. Collar Bonded to Tank



Various fittings available including bulkhead fittings, pipe, flanged fittings, vents, etc. at extra cost.

Accessories available such as pump stand, divider wall(s), 2nd manway, lock bar for lid, etc. at extra cost.

8'-6"
[2591mm]



| | | | | |
|--|--|---|------------------|----------------|
| <p>Fibreglass Canada Div. of FRP Manufacturing Inc.</p> | B-15000(S) FIBREGLASS SEWAGE HOLDING TANK | | DATE: 03-02-2007 | DWG SCALE: 1:1 |
| | Overall Length: | Approx. 15,532mm (50' 11") | BY: MARK SOLLID | REV: 0 |
| | Overall Weight: | Approx. 2,500 kg (5,500 lbs) | DATE: | |
| | Overall Capacity: | Approx. 68,191L (15,000 Imp Gal, 18,000 US Gal) | APPROVAL: | |

