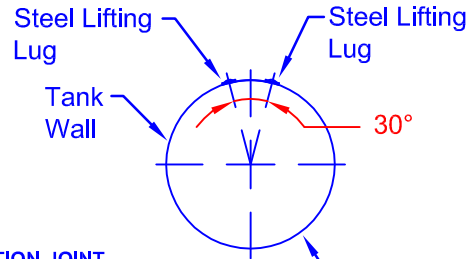


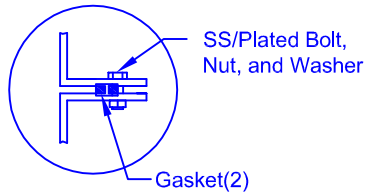
LIFTING LUG DETAIL



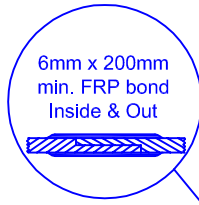
MATERIALS LIST					
ITEM	QTY	DESCRIPTION	ITEM	QTY	DESCRIPTION
A	1	C-DOME-8-1750S	B	1	C-DOME-8-1750S-30COL
C	3	C-CYL-3500-S-W/BELL	D	1	C-CYL-3000-S-W/BELL
E	4	STEEL LIFTING LUG	F	1	4" PVC-DWV ELBOW
G	1	C-LID-30IN-STD-W/8" POLY NONVENTED LID			

* TANK COMES FULLY ASSEMBLED FROM FACTORY *

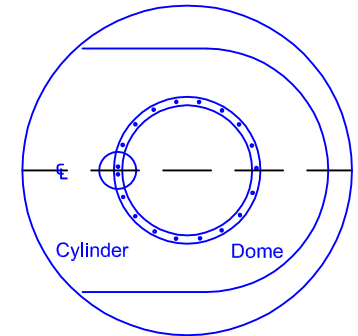
FLANGE CONNECTION DETAIL



SECTION-JOINT DETAIL



COLLAR ORIENTATION DETAIL



Optional Manway:
762 mm (30") dia. X
305, 762, 1524 or 2134 mm
(12, 30, 60 or 84") height

Structural Ribs

Flanged Manway is Bolted to Collar

762mm (30") dia. Collar Bonded to Tank

8'-6"
[2591mm]

5'
[1512mm]

2'
[610mm]

2'-3"
[686mm]

2'-5"
[749mm]

7'
[2122mm]

11'-3"
[3440mm]

11'-4"
[3442mm]

11'-4"
[3442mm]

10'-3"
[3125mm]

7'
[2122mm]

58'-2"
[17730mm]



Accessories available such as pump stand, divider wall(s), 2nd manway, lock bar for lid, etc. at extra cost.

Various fittings available including bulkhead fittings, pipe, flanged fittings, vents, etc. at extra cost.

Fibreglass Canada
Div. of FRP Manufacturing Inc.

B-17000(S) FIBREGLASS SEWAGE HOLDING TANK

Overall Length:	Approx. 17,742mm (58' 2")
Overall Weight:	Approx. 2,841 kg (6,250 lbs)
Overall Capacity:	Approx. 77,282L (17,000 Imp Gal, 20,400 US Gal)

DATE: 03-02-2007	DWG SCALE:
BY: MARK SOLLID	REV: 0
DATE:	
APPROVAL:	

