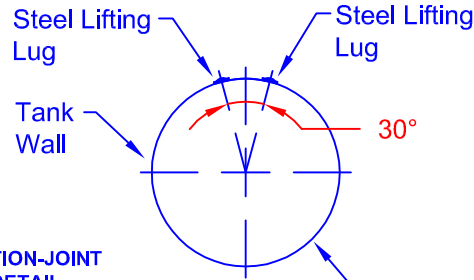


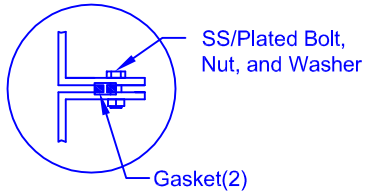
LIFTING LUG DETAIL



MATERIALS LIST					
ITEM	QTY	DESCRIPTION	ITEM	QTY	DESCRIPTION
(A)	1	C-DOME-8-1750S	(B)	1	C-DOME-8-1750S-30COL
(C)	4	C-CYL-3500-S-W/BELL	(D)	1	C-CYL-2500-S-W/BELL
(E)	4	STEEL LIFTING LUG	(F)	1	4" PVC-DWV ELBOW
(G)	1	C-LID-30IN-STD-W/8" POLY NONVENTED LID			

* TANK COMES FULLY ASSEMBLED FROM FACTORY *

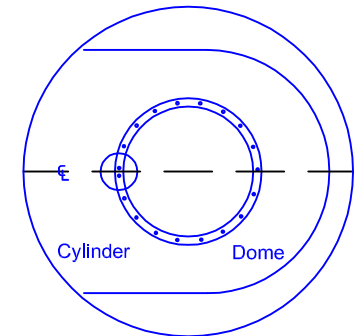
FLANGE CONNECTION DETAIL



SECTION-JOINT DETAIL



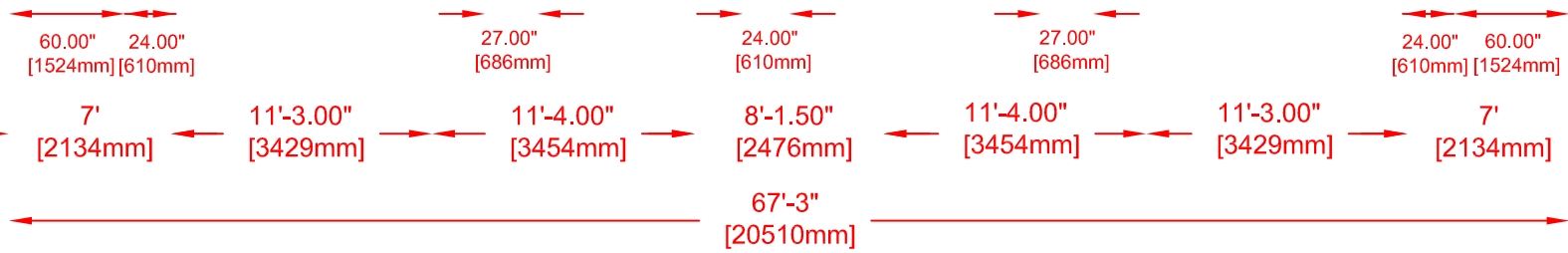
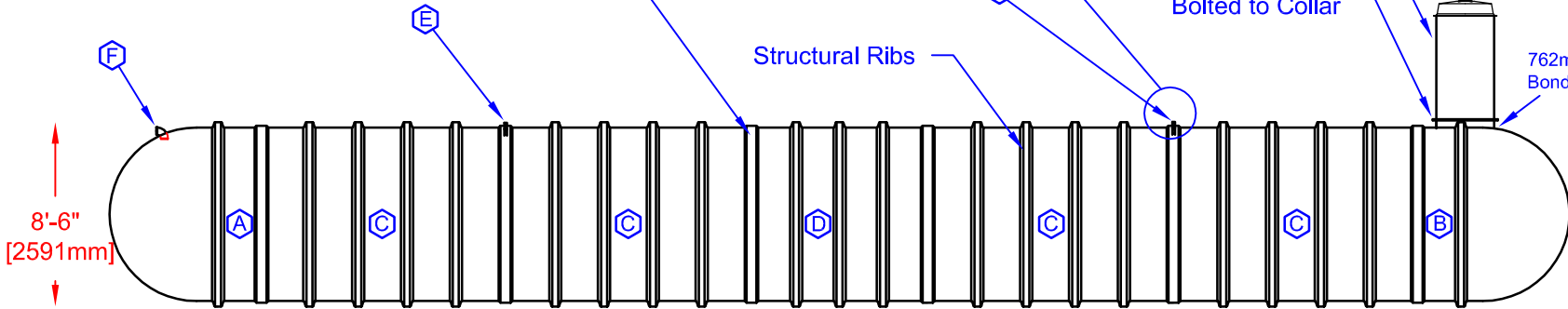
COLLAR ORIENTATION DETAIL



Optional Manway:
762 mm (30") dia. X
305, 762, 1524 or 2134 mm
(12, 30, 60 or 84") height

Flanged Manway is Bolted to Collar

762mm (30") dia. Collar Bonded to Tank



Accessories available such as pump stand, divider wall(s), 2nd manway, lock bar for lid, etc. at extra cost.

Various fittings available including bulkhead fittings, pipe, flanged fittings, vents, etc. at extra cost.

<p>Div. of FRP Manufacturing Inc.</p>	B-20000(S) FIBREGLASS SEWAGE HOLDING TANK		DATE: 03-02-2007	DWG SCALE:
	Overall Length:	Approx. 20,510mm (67' 3")	BY: MARK SOLLID	REV: 0
	Overall Weight:	Approx. 3,400 kg (7,500 lbs)	DATE:	
	Overall Capacity:	Approx. 90,920L (20,000 Imp Gal, 24,000 US Gal)	APPROVAL:	

