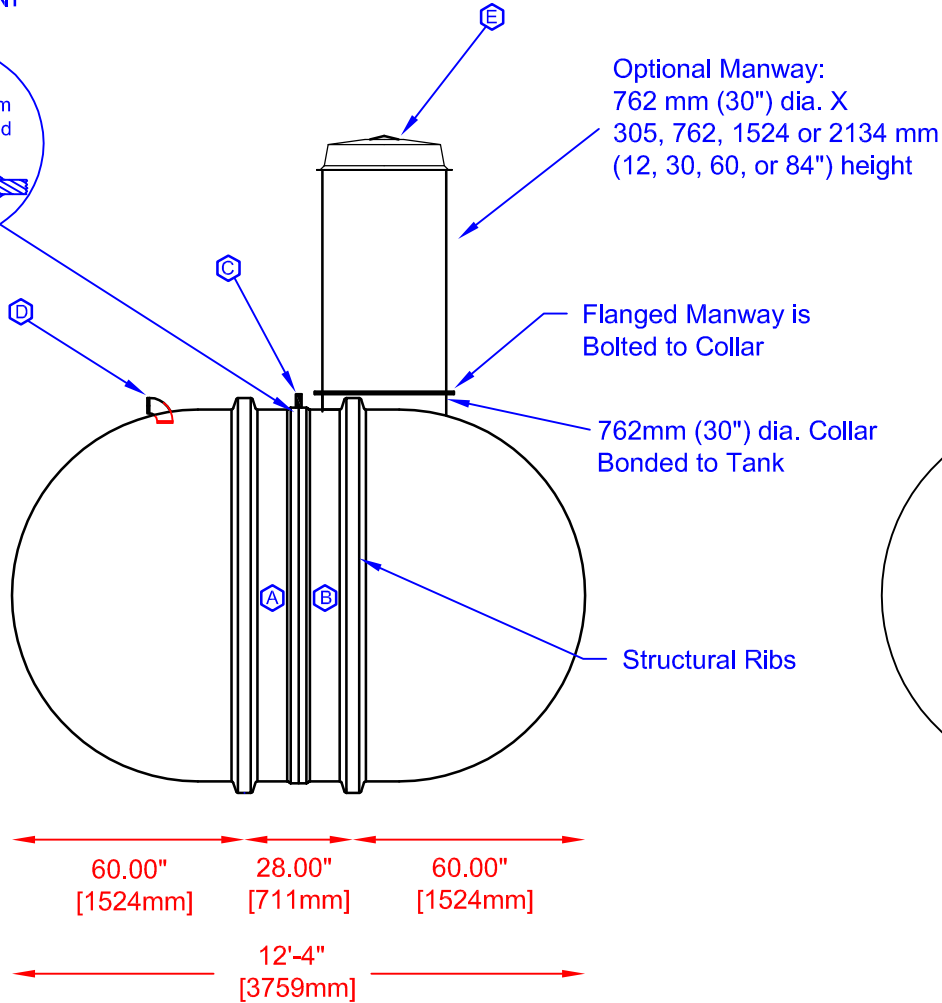
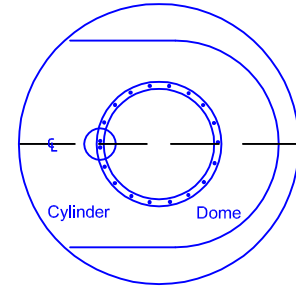


**SECTION-JOINT DETAIL**

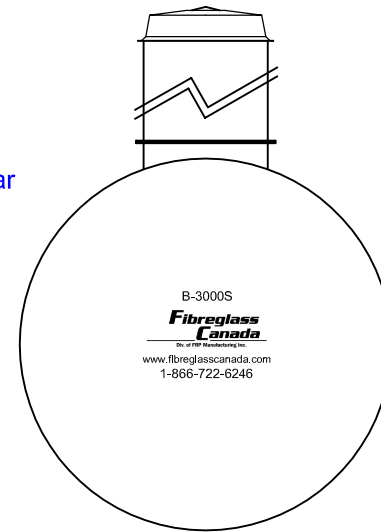


**COLLAR ORIENTATION DETAIL**



MATERIALS LIST					
ITEM	QTY	DESCRIPTION	ITEM	QTY	DESCRIPTION
A	1	C-DOME-8-1500S	B	1	C-DOME-8-1500S-30COL
C	1	STEEL LIFTING LUG	D	1	4" PVC-DWV ELBOW
E	1	C-LID-30IN-STD-W/8" POLY NONVENTED LID			

\* TANK COMES FULLY ASSEMBLED FROM FACTORY \*



Various fittings available including bulkhead fittings, pipe, flanged fittings, vents, etc. at extra cost.

Accessories available such as pump stand, divider wall(s), 2nd manway, lock bar for lid, etc. at extra cost.

<p>Div. of FRP Manufacturing Inc.</p>	<b>B-3000(S) FIBREGLASS SEWAGE HOLDING TANK</b>		DATE: 03-02-2007	DWG SCALE:
	Overall Length:	Approx. 3,759mm (12' 4")	BY: MARK SOLLID	REV: 0
	Overall Weight:	Approx. 591 kg (1,300 lbs)	DATE:	
	Overall Capacity:	Approx. 13,638L (3,000 Imp Gal, 3,600 US Gal)	APPROVAL:	

