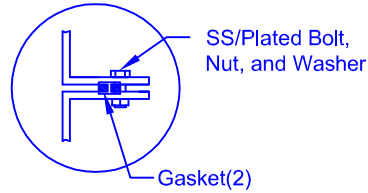


FLANGE CONNECTION DETAIL



| MATERIALS LIST | | | | | |
|----------------|-----|---------------------|------|-----|--|
| ITEM | QTY | DESCRIPTION | ITEM | QTY | DESCRIPTION |
| (A) | 1 | C-DOME-8-1750S | (B) | 1 | C-DOME-8-1750S-30COL |
| (C) | 1 | C-CYL-2500-S-W/BELL | (D) | 1 | 4" PVC-DWV ELBOW |
| (E) | 2 | STEEL LIFTING LUG | (F) | 1 | C-LID-30IN-STD-W/8" POLY NONVENTED LID |

* TANK COMES FULLY ASSEMBLED FROM FACTORY *

Various fittings available including bulkhead fittings, pipe, flanged fittings, vents, etc. at extra cost.

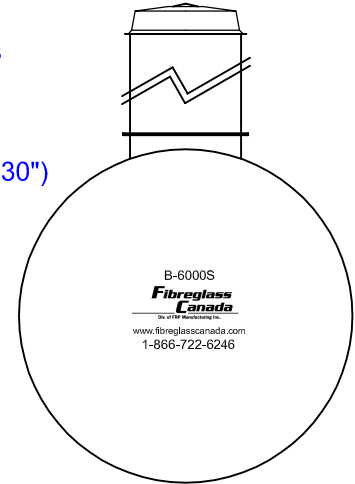
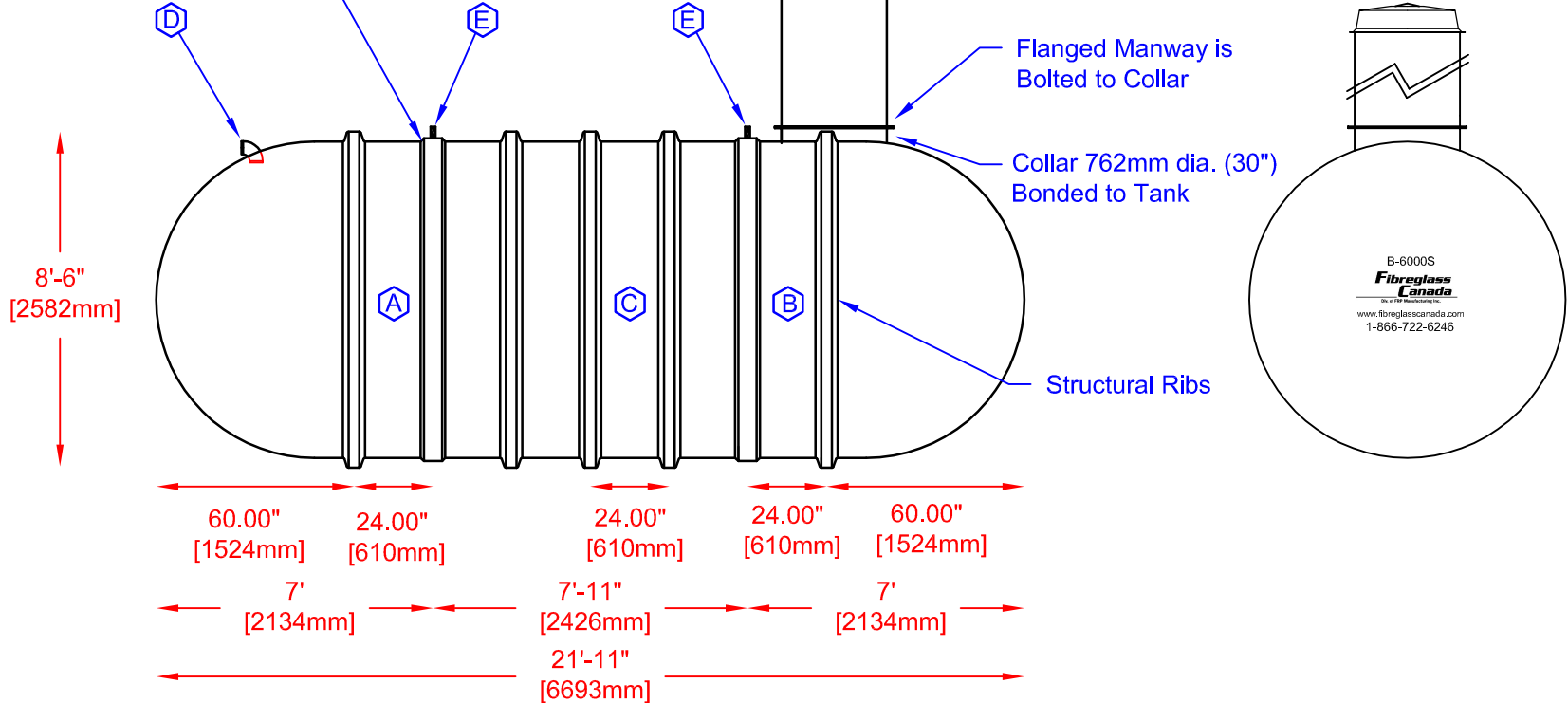
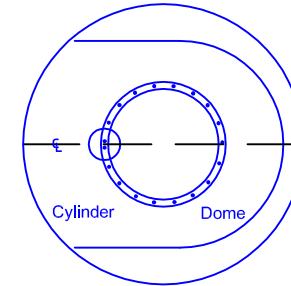
Accessories available such as pump stand, divider wall(s), 2nd manway, lock bar for lid, etc. at extra cost.

SECTION-JOINT DETAIL



Optional Manway:
762 mm (30") dia. X
305, 762, 1524 or 2134 mm
(12, 30, 60 or 84") height

COLLAR ORIENTATION DETAIL



| | | | | |
|---------------------------------------|---|---|------------------|------------|
| <p>Div. of FRP Manufacturing Inc.</p> | B-6000(S) FIBREGLASS SEWAGE HOLDING TANK | | DATE: 03-02-2007 | DWG SCALE: |
| | Overall Length: | Approx. 6,693mm (21' 11") | BY: MARK SOLLID | REV: 0 |
| | Overall Weight: | Approx. 1,075 kg (2,375 lbs) | DATE: | |
| | Overall Capacity: | Approx. 27,277L (6,000 Imp Gal, 7,200 US Gal) | APPROVAL: | |

