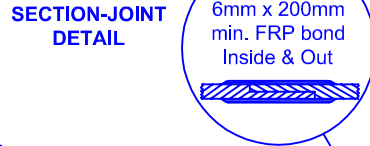
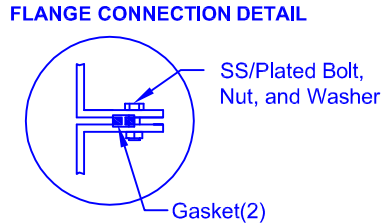


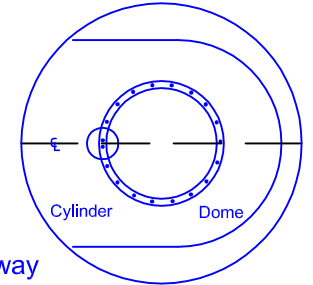
MATERIALS LIST					
ITEM	QTY	DESCRIPTION	ITEM	QTY	DESCRIPTION
A	1	C-DOME-8-1750S	B	1	C-DOME-8-1750S-30COL
C	2	C-CYL-3500-S-W/BELL	D	1	C-CYL-1500-S-W/BELL
E	4	STEEL LIFTING LUG	F	1	2" FEMALE BLKHD - OUTLET
G	1	C-LID-30IN-STD-W/8" POLY VENTED LID			

* TANK COMES FULLY ASSEMBLED FROM FACTORY *

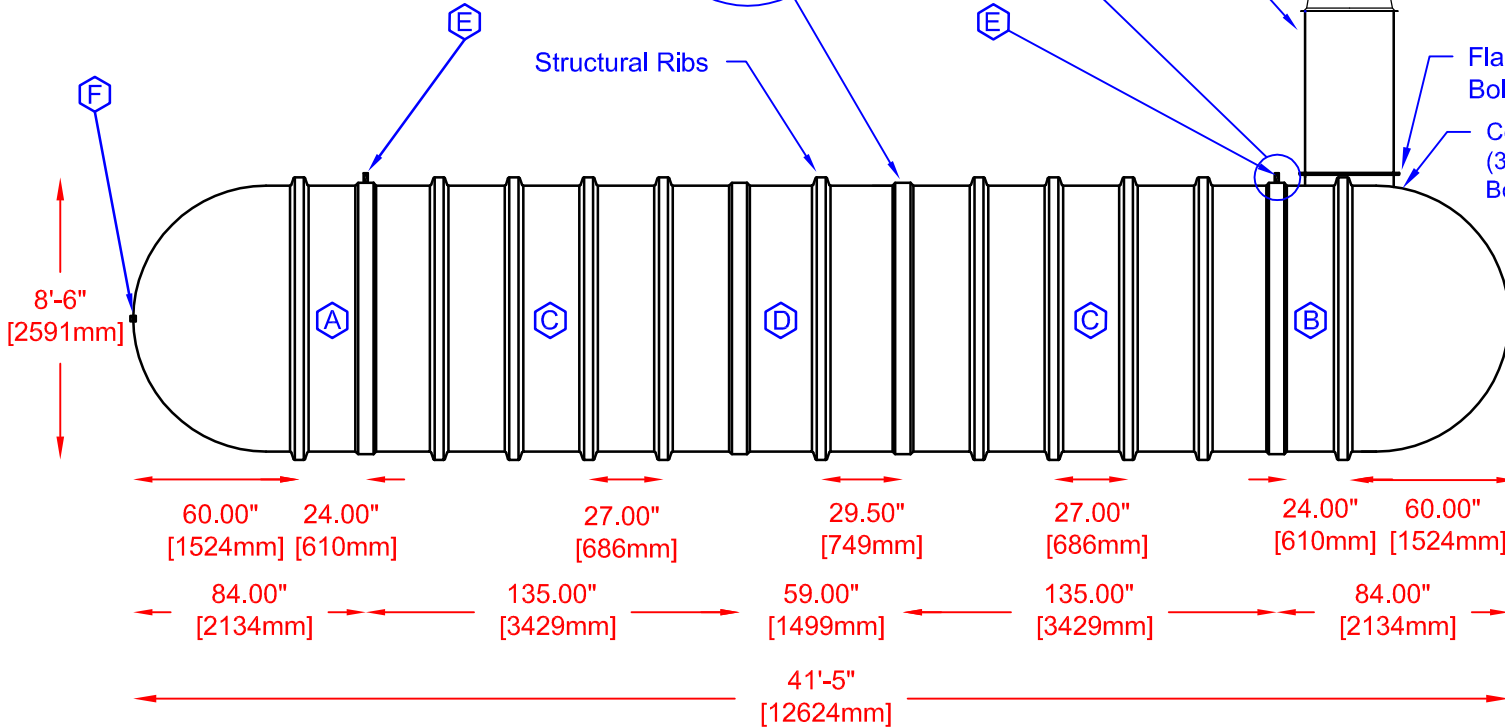
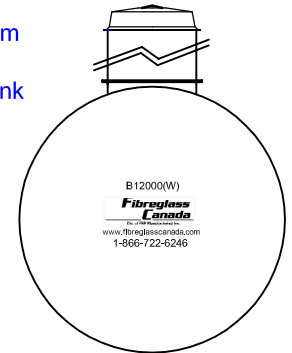


Optional Manway:
762 mm (30") dia. X
305, 762, 1524 or 2134 mm
(12, 30, 60 or 84") height

COLLAR ORIENTATION DETAIL



Flanged Manway Bolted to Collar
Collar (762 mm (30") dia.) Bonded to Tank



<p>Div. of FRP Manufacturing Inc.</p>	B-12000(W) FIBREGLASS WATER CISTERN		DATE: 05-24-2007	DWG SCALE:
	Overall Length:	Approx. 12,624mm (41' 5")	BY: MARK SOLLID	REV: 0
	Overall Weight:	Approx. 2,040 kg (4,500 lbs)	DATE:	
	Overall Capacity:	Approx. 55,552L (12,000 Imp Gal, 14,400 US Gal)	APPROVAL:	



DRINKING WATER
NSF/ANSI 61