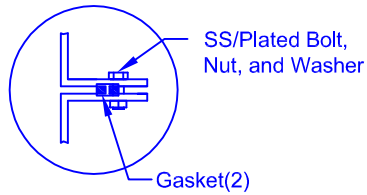


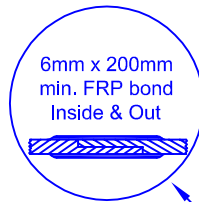
MATERIALS LIST					
ITEM	QTY	DESCRIPTION	ITEM	QTY	DESCRIPTION
(A)	1	C-DOME-8-1750S	(B)	1	C-DOME-8-1750S-30COL
(C)	3	C-CYL-3000-S-W/BELL	(D)	1	C-CYL-2500-S-W/BELL
(E)	4	STEEL LIFTING LUG	(F)	1	2" FEMALE BLKHD - OUTLET
(G)	1	C-LID-30IN-STD-W/8" POLY VENTED LID			

* TANK COMES FULLY ASSEMBLED FROM FACTORY *

FLANGE CONNECTION DETAIL

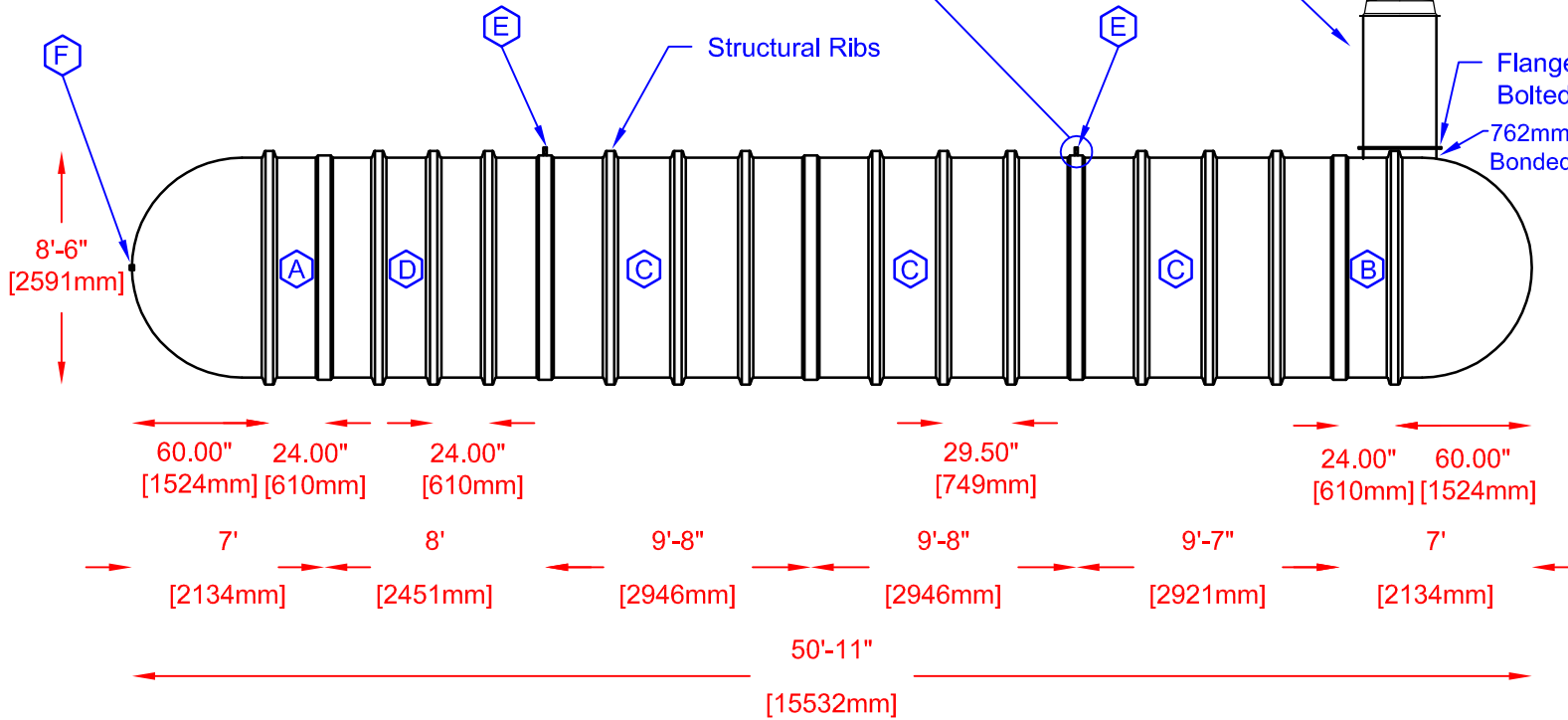
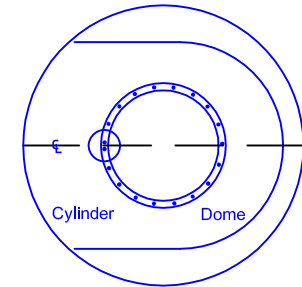


SECTION-JOINT DETAIL

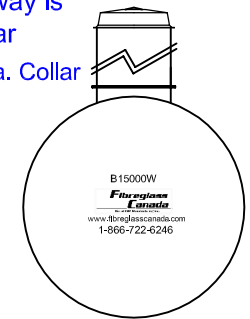


Optional Manway:
762 mm (30") dia. X
305, 762, 1524 or 2134 mm
(12, 30, 60 or 84") height

COLLAR ORIENTATION DETAIL



Flanged Manway is Bolted to Collar
762mm (30") dia. Collar Bonded to Tank



Accessories available such as pump stand, 2nd manway, ladder, lock bar for lid, etc. at extra cost.

Various fittings available including bulkhead fittings, pipe, flanged fittings, vents, etc. at extra cost.

<p>Div. of FRP Manufacturing Inc.</p>	B-15000(W) FIBREGLASS WATER CISTERN		DATE: 04-04-2007	DWG SCALE:
	Overall Length:	Approx. 15,532mm (50' 11")	BY: MARK SOLLID	REV: 0
	Overall Weight:	Approx. 2,495 kg (5,500 lbs)	DATE:	
	Overall Capacity:	Approx. 68,190L (15,000 Imp Gal, 18,000 US Gal)	APPROVAL:	

