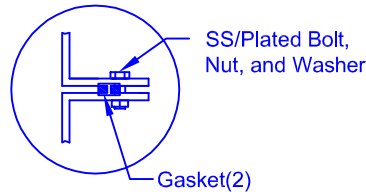
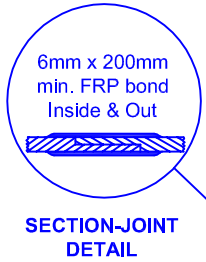


FLANGE CONNECTION DETAIL

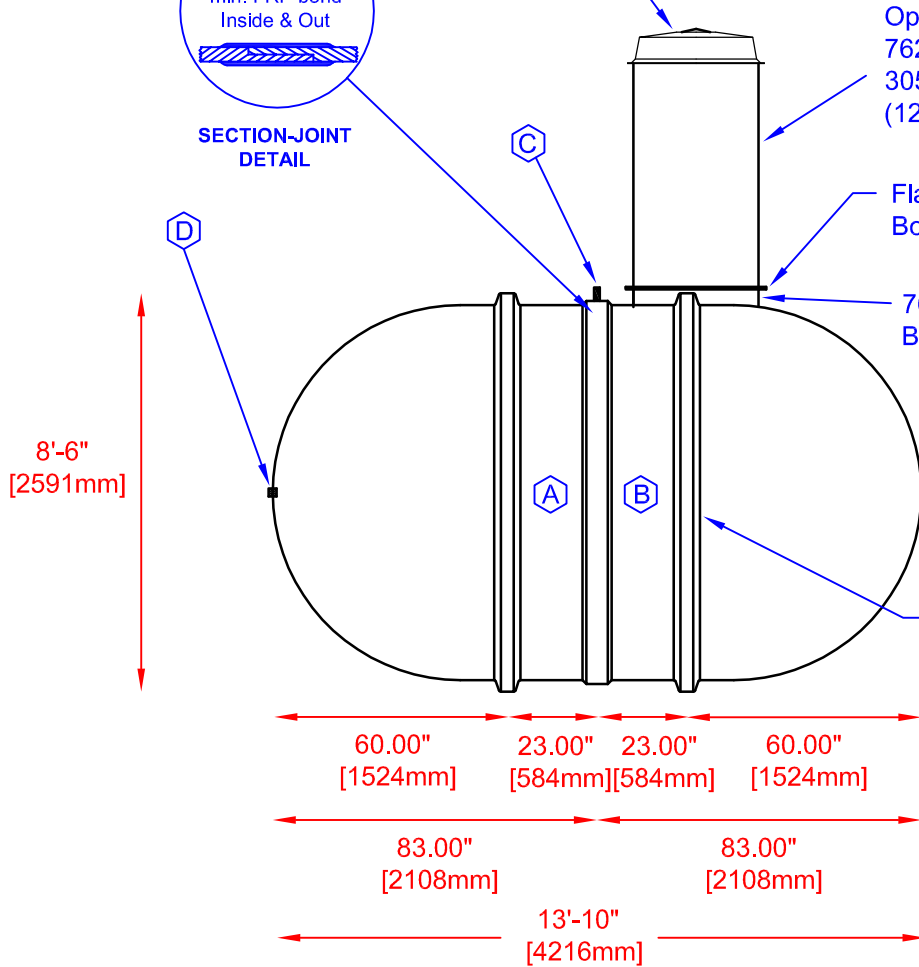
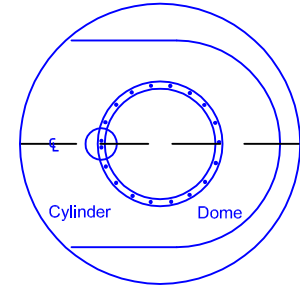


MATERIALS LIST					
ITEM	QTY	DESCRIPTION	ITEM	QTY	DESCRIPTION
(A)	1	C-DOME-8-1750S	(B)	1	C-DOME-8-1750S-30COL
(C)	1	STEEL LIFTING LUG	(D)	1	2" FEMALE BLKHD - OUTLET
(E)	1	C-LID-30IN-STD-W/8" POLY VENTED LID			

* TANK COMES FULLY ASSEMBLED FROM FACTORY *



COLLAR ORIENTATION DETAIL



Various fittings available including bulkhead fittings, pipe, flanged fittings, vents, etc. at extra cost.

Accessories available such as pump stand, 2nd manway, ladder, lock bar for lid, etc. at extra cost.

<p>Div. of FRP Manufacturing Inc.</p>	B-3500(W) FIBREGLASS WATER CISTERN		DATE: 03-14-2007	DWG SCALE:
	Overall Length:	Approx. 4,216mm (13' 10")	BY: MARK SOLLID	REV: 0
	Overall Weight:	Approx. 680 kg (1,500 lbs)	DATE:	
	Overall Capacity:	Approx. 15,911L (3,500 Imp Gal, 4,200 US Gal)	APPROVAL:	



DRINKING WATER
NSF/ANSI 61