

Fibreglass Canada

Div. of FRP Manufacturing Inc.

AGS 1500-L

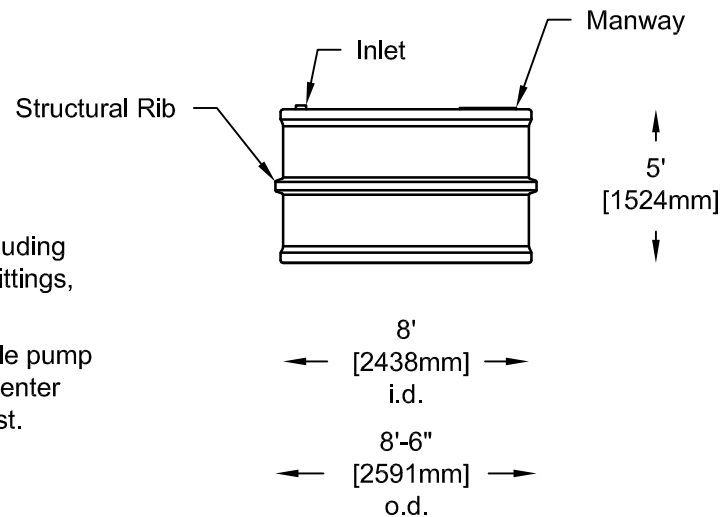
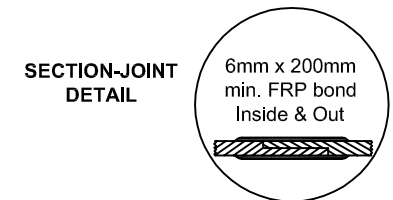
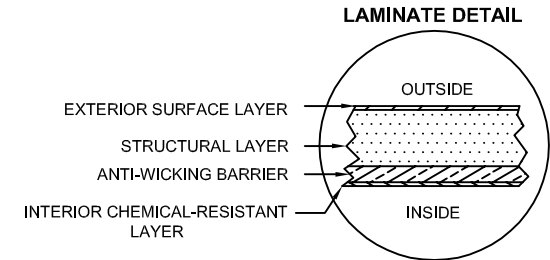
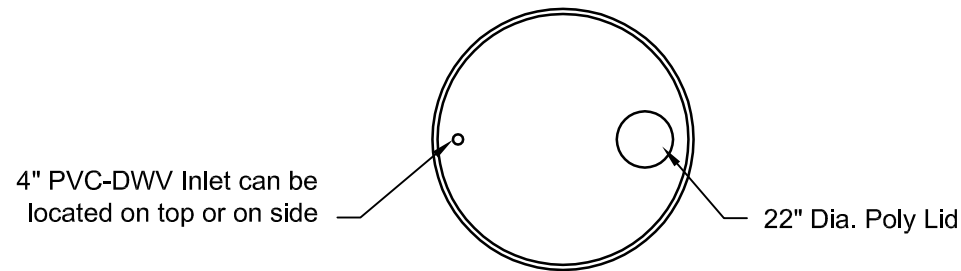
FIBREGLASS SEWAGE STORAGE TANK

Overall Weight: Approx. 476 kg (1,050 lbs)

Capacity: Approx. 6,820 L (1,500 Imp Gal, 1,800 US Gal)



TOP VIEW



Note:

- One piece tank
- Various inlet & outlet fittings available including bulkhead fittings, couplings, pipe, flanged fittings, vents, etc. at extra cost.
- Accessories available such as submersible pump stand, 24" dia. manway with 24" lid & 8" center poly lid, lock bar for 24" lid, etc. at extra cost.