

# Fibreglass Canada

Div. of FRP Manufacturing Inc.

AGS 2500-L

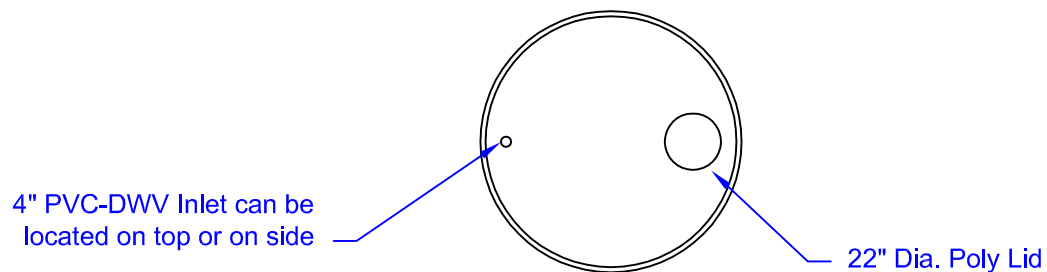
FIBREGLASS SEWAGE STORAGE TANK

Overall Weight: Approx. 619 kg (1375 lbs)

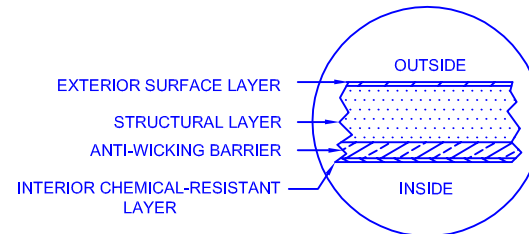
Capacity: Approx. 11366 L (2500 Imp Gal, 3000 US Gal)



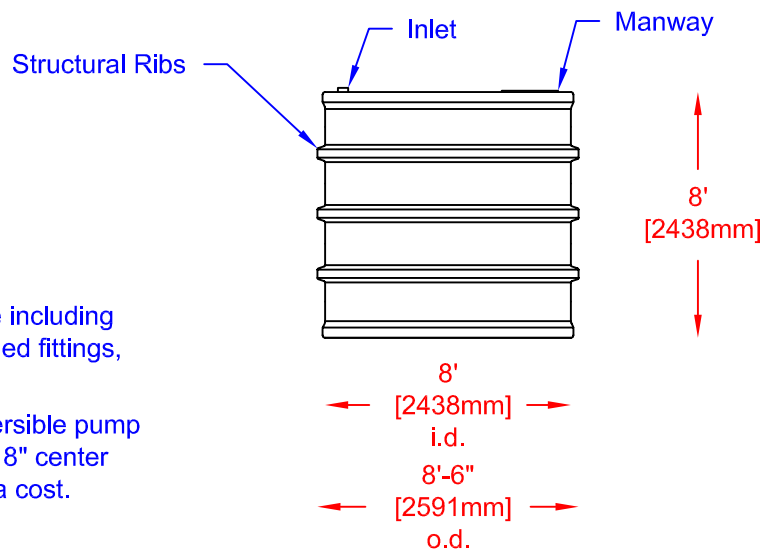
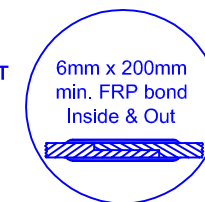
TOP VIEW



LAMINATE DETAIL



SECTION-JOINT DETAIL



Note:

- One piece tank
- Various inlet & outlet fittings available including bulkhead fittings, couplings, pipe, flanged fittings, vents, etc. at extra cost.
- Accessories available such as submersible pump stand, 24" dia. manway with 24" lid & 8" center poly lid, lock bar for 24" lid, etc. at extra cost.