

# Fibreglass Canada

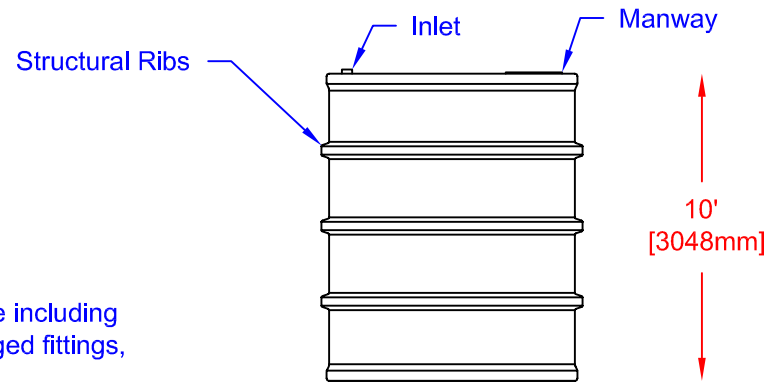
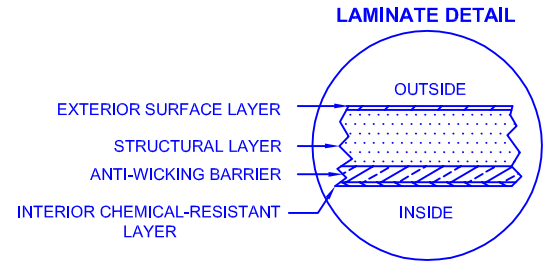
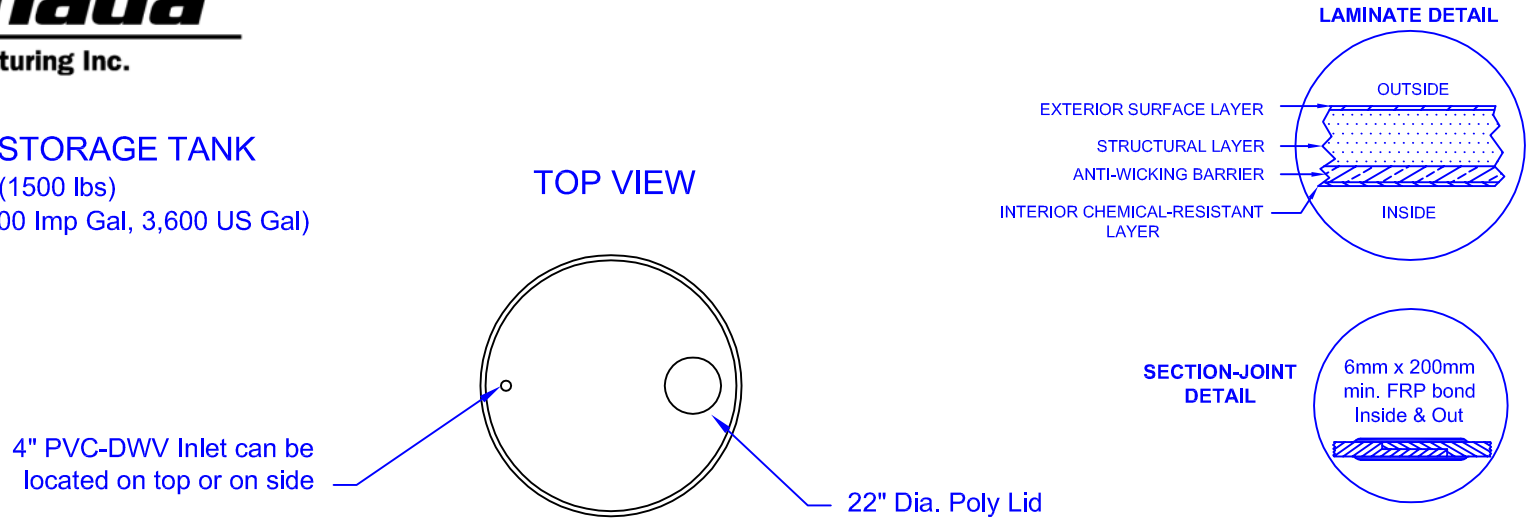
Div. of FRP Manufacturing Inc.

AGS 3000-L

FIBREGLASS SEWAGE STORAGE TANK

Overall Weight: Approx. 680 kg (1500 lbs)

Capacity: Approx. 13,640 L (3,000 Imp Gal, 3,600 US Gal)



10'  
[3048mm]

8'  
[2438mm]  
i.d.

8'-6"  
[2591mm]  
o.d.

Note:

- One piece tank
- Various inlet & outlet fittings available including bulkhead fittings, couplings, pipe, flanged fittings, vents, etc. at extra cost.
- Accessories available such as submersible pump stand, 24" dia. manway with 24" lid & 8" center poly lid, lock bar for 24" lid, etc. at extra cost.