

Fibreglass Canada

Div. of FRP Manufacturing Inc.

AGS-1750-OV

FIBREGLASS SEWAGE STORAGE TANK

Overall Weight: Approx. 252 kg (555 lbs)

Capacity: Approx. 7,956 L (1,750 Imp Gal, 2,100 US Gal)

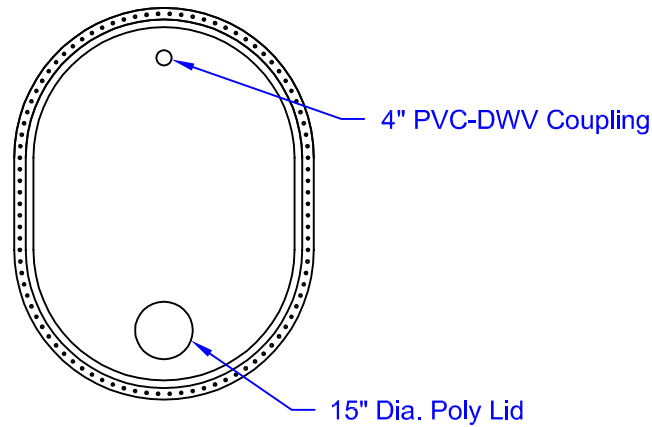


Note:

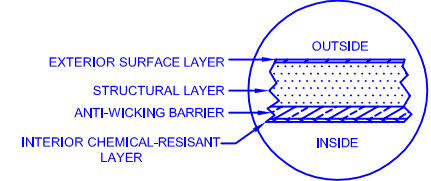
- Various inlet & outlet fittings available including bulkhead fittings, couplings, pipe, flanged fittings, vents, etc. at extra cost.

- Tank comes unassembled (Tank can be assembled at factory at extra cost)

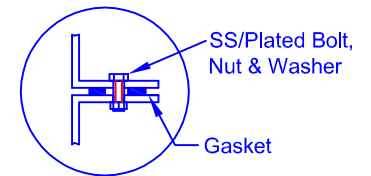
TOP VIEW



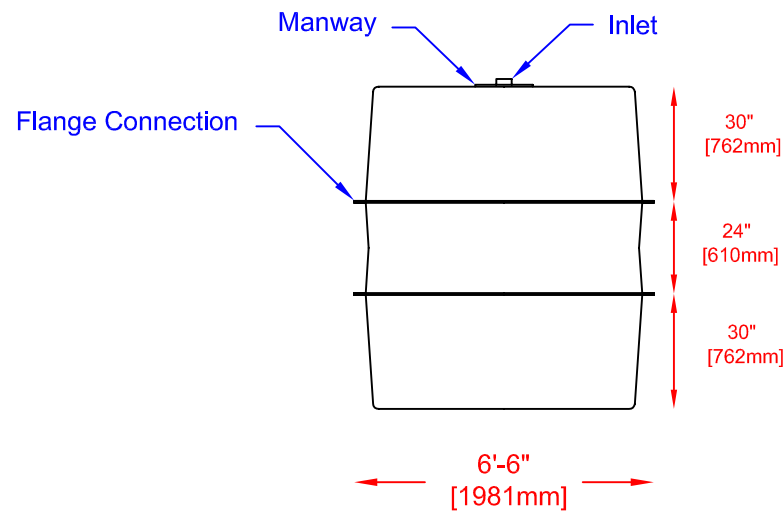
LAMINATE DETAIL



FLANGE CONNECTION DETAIL



END VIEW



SIDE VIEW

