

# Fibreglass Canada

Div. of FRP Manufacturing Inc.

AGW-1250-OV

## FIBREGLASS WATER STORAGE TANK

Overall Weight: Approx. 173 kg (380 lbs)

Capacity: Approx. 5,683 L (1,250 Imp Gal, 1,500 US Gal)

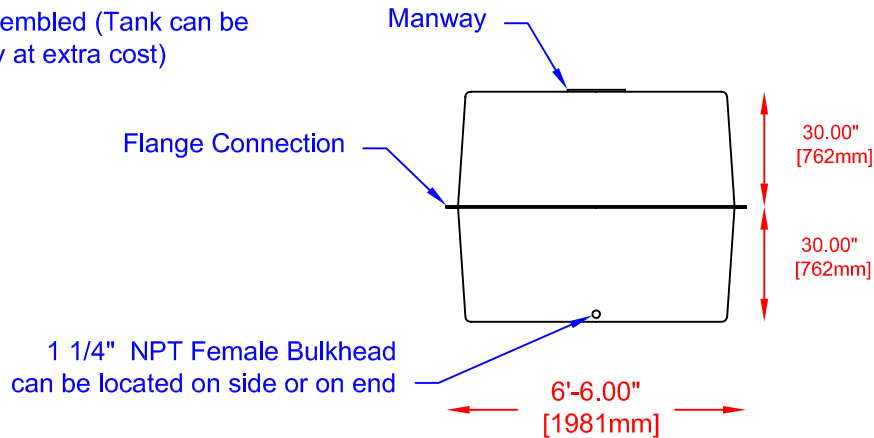


Drinking Water  
NSF/ANSI 61

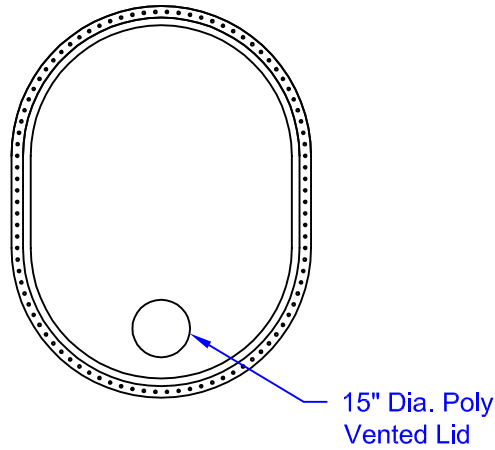
**Note:**

- Various inlet & outlet fittings available including bulkhead fittings, couplings, pipe, flanged fittings, vents, etc. at extra cost.

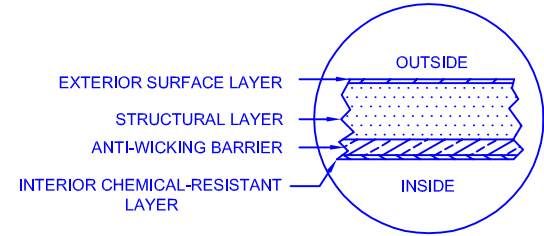
- Tank comes unassembled (Tank can be assembled at factory at extra cost)



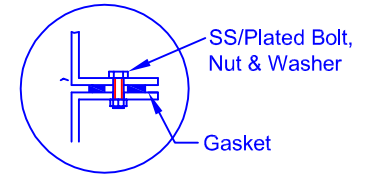
**TOP VIEW**



**LAMINATE DETAIL**



**FLANGE CONNECTION DETAIL**



**SIDE VIEW**

