

# Fibreglass Canada

Div. of FRP Manufacturing Inc.

AGW-500-OV-C

FIBREGLASS WATER STORAGE TANK

Overall Weight: Approx. 120 kg (265 lbs)

Capacity: Approx. 2,273 L (500 Imp Gal., 600 US Gal)

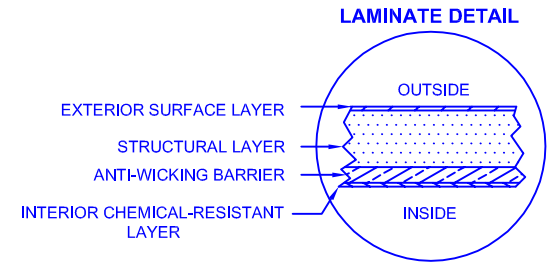


Drinking Water  
NSF/ANSI 61

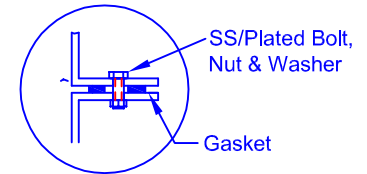
Note:

- Various inlet & outlet fittings available including bulkhead fittings, couplings, pipe, flanged fittings, vents, etc. at extra cost.

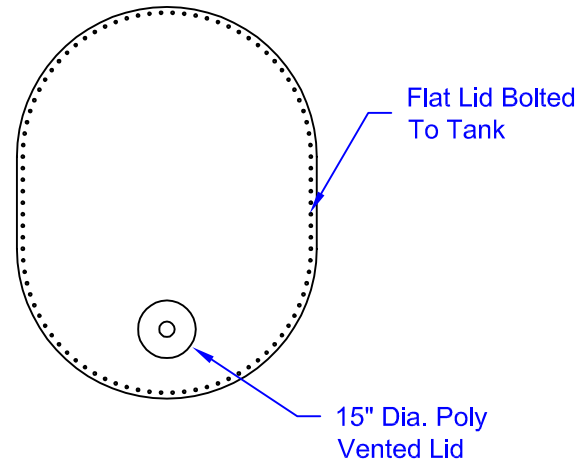
- Tank comes unassembled (Tank can be assembled at factory at extra cost)



FLANGE CONNECTION DETAIL



TOP VIEW



SIDE VIEW

