

# Fibreglass Canada

Div. of FRP Manufacturing Inc.

AGW-625-OV-C

FIBREGLASS WATER STORAGE TANK

Overall Weight: Approx. 127 kg (280 lbs)

Capacity: Approx. 2,841 L (625 Imp Gal, 750 US Gal)



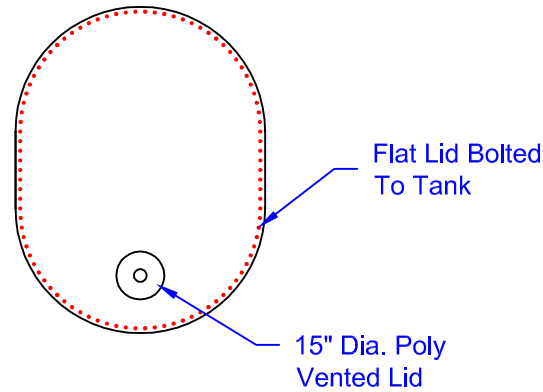
Drinking Water  
NSF/ANSI 61

**Note:**

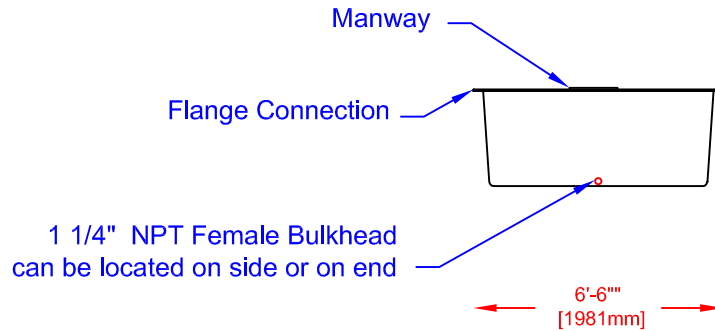
- Various inlet & outlet fittings available including bulkhead fittings, couplings, pipe, flanged fittings, vents, etc. at extra cost.

- Tank comes unassembled (Tank can be assembled at factory at extra cost)

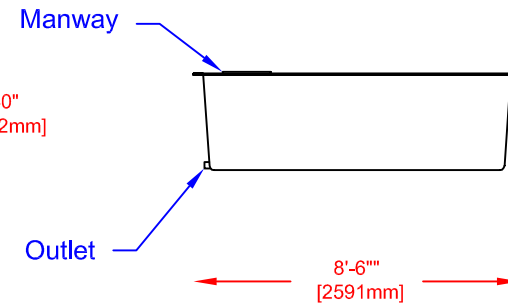
TOP VIEW



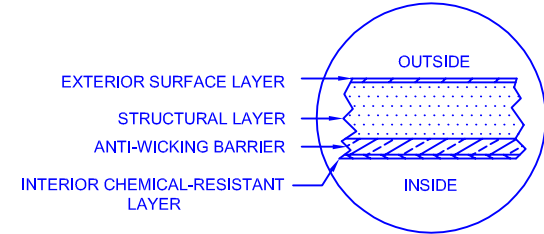
END VIEW



SIDE VIEW



LAMINATE DETAIL



FLANGE CONNECTION DETAIL

