

# Fibreglass Canada

Div. of FRP Manufacturing Inc.

AGW-150-RD-C

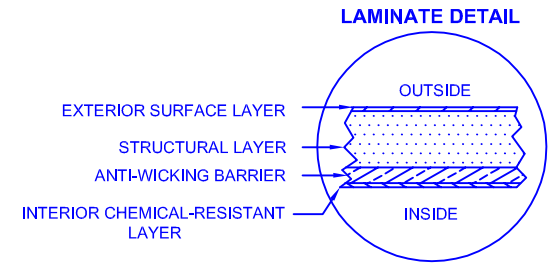
FIBREGLASS WATER STORAGE TANK

Overall Weight: Approx. 45kg (100 lbs)

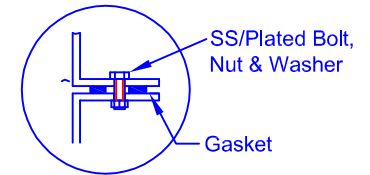
Capacity: Approx. 682 L (150 Imp. Gal., 180 U.S. Gal)



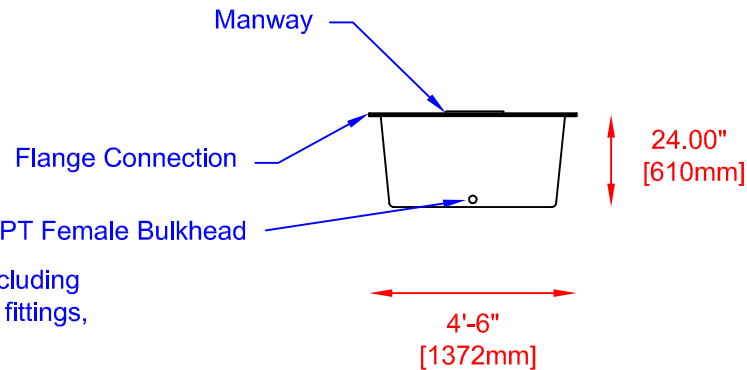
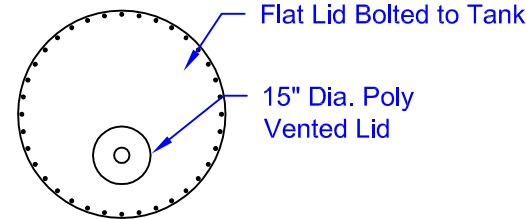
Drinking Water  
NSF/ANSI 61



FLANGE CONNECTION DETAIL



TOP VIEW



Note:

1 1/4" NPT Female Bulkhead

- Various inlet & outlet fittings available including bulkhead fittings, couplings, pipe, flanged fittings, vents, etc. at extra cost.

- Tank comes unassembled (Tank can be assembled at factory at extra cost)