

# Fibreglass Canada

Div. of FRP Manufacturing Inc.

AGW-300-RD

FIBREGLASS WATER STORAGE TANK

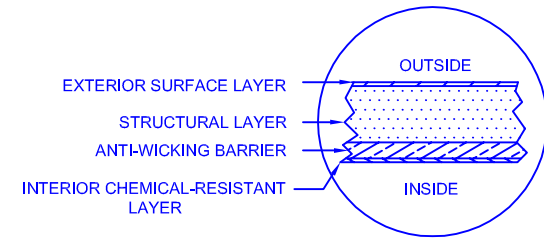
Overall Weight: Approx. 68 kg (150 lbs)

Capacity: Approx. 1,364 L (300 Imp Gal, 360 US Gal)

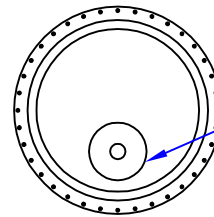


Drinking Water  
NSF/ANSI 61

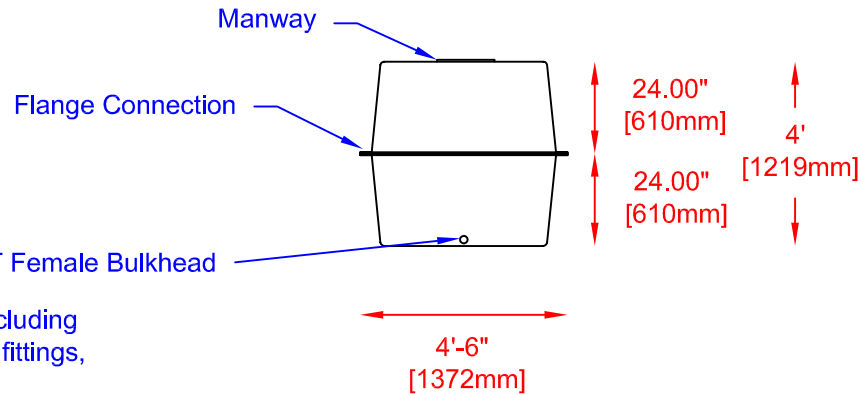
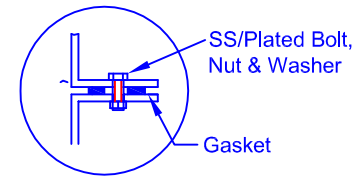
LAMINATE DETAIL



TOP VIEW



FLANGE CONNECTION DETAIL



Note:

1 1/4" NPT Female Bulkhead

- Various inlet & outlet fittings available including bulkhead fittings, couplings, pipe, flanged fittings, vents, etc. at extra cost.

- Tank comes unassembled (Tank can be assembled at factory at extra cost)