

# Fibreglass Canada

Div. of FRP Manufacturing Inc.

AGW-750-RD

FIBREGLASS WATER STORAGE TANK

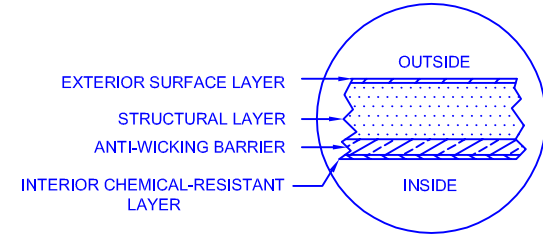
Overall Weight: Approx. 136 kg (300 lbs)

Capacity: Approx. 3,410 L (750 Imp Gal, 900 US Gal)

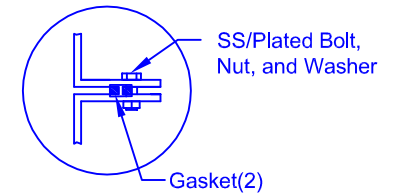


DRINKING WATER  
NSF/ANSI 61

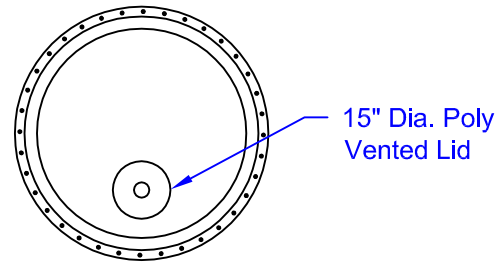
LAMINATE DETAIL



FLANGE CONNECTION DETAIL



TOP VIEW



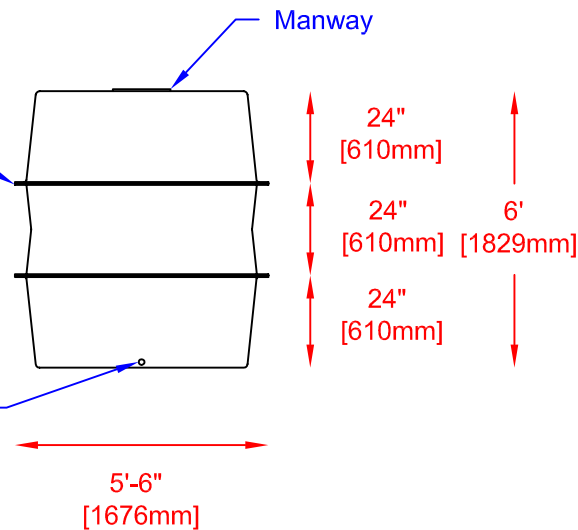
Note:

- Various inlet & outlet fittings available including bulkhead fittings, couplings, pipe, flanged fittings, vents, etc. at extra cost.

- Tank comes unassembled (Tank can be assembled at factory at extra cost)

Flange Connection

1 1/4" NPT Female Bulkhead



Approval: \_\_\_\_\_  
Date: \_\_\_\_\_  
Rev: AUG 2007