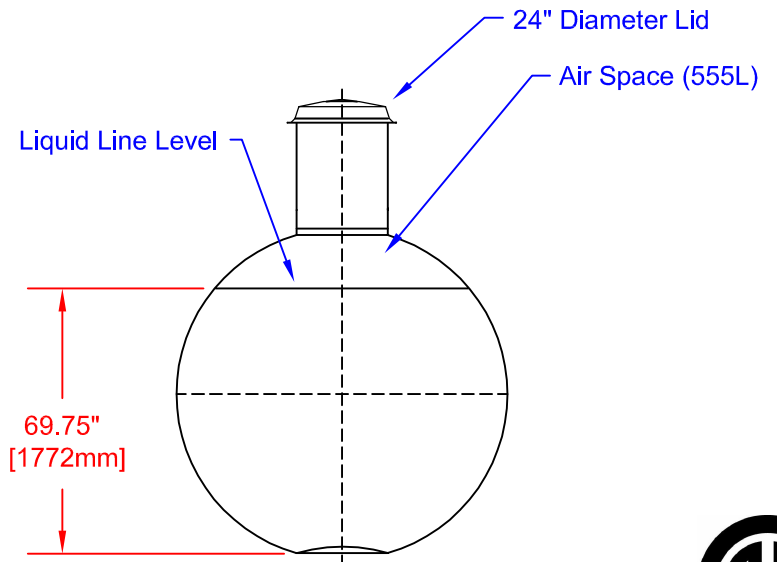
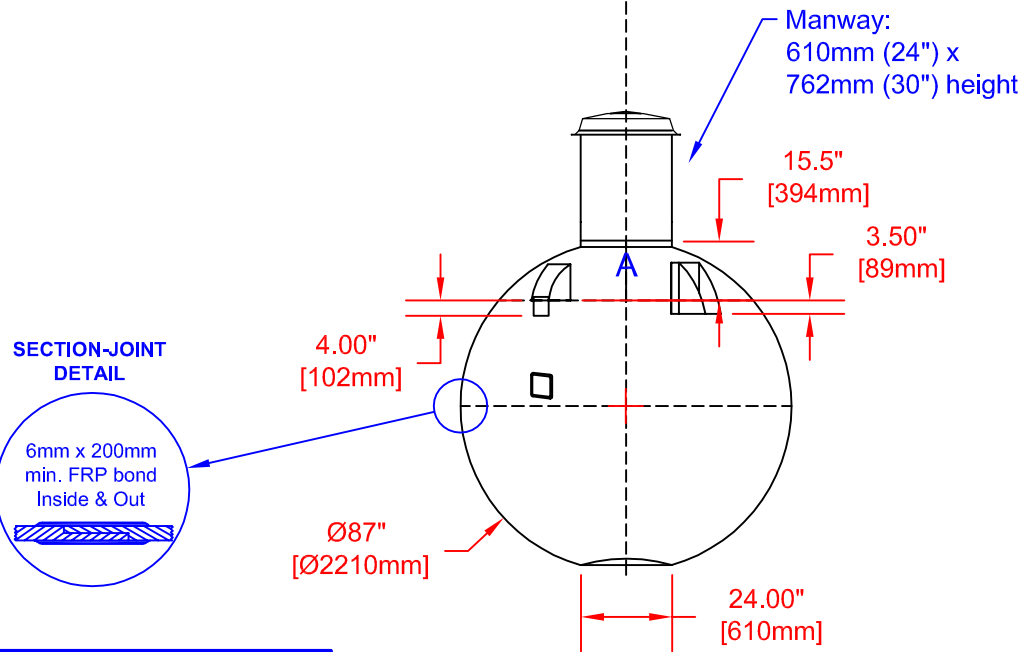
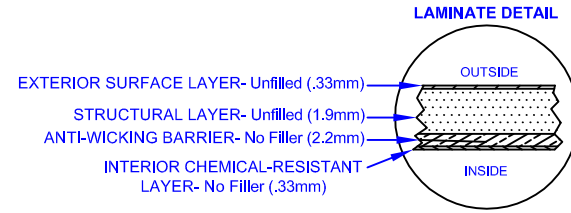
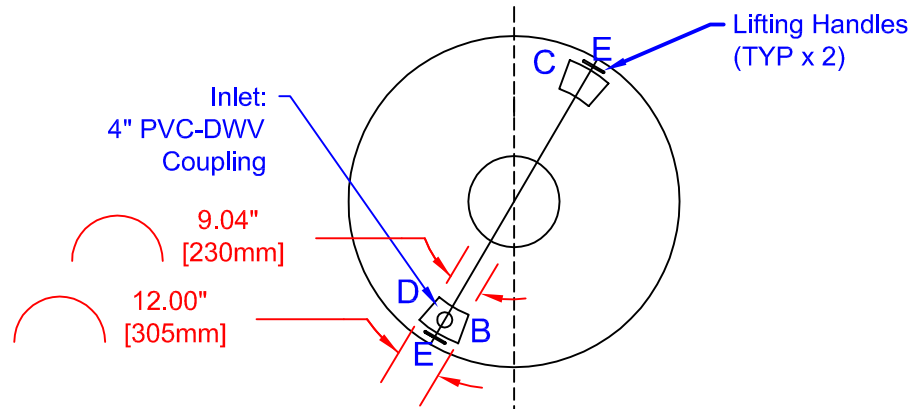


LABEL LOCATIONS					
ITEM	QTY	DESCRIPTION	ITEM	QTY	DESCRIPTION
A	1	NAME PLATE	B	1	INLET
C	1	OUTLET	D	1	DANGER GAS
E	2	LIFTING HANDLE			

* TANK COMES FULLY ASSEMBLED FROM FACTORY *

* PVC FITTINGS ARE CSA CERTIFIED



Fibreglass Canada
 Div. of FRP Manufacturing Inc.
 HB1100 FIBREGLASS SEWAGE HOLDING TANK

Overall Diameter:	2,210mm (87")	Overall Weight:	182kg (400lbs)		
DATE: 05-25-2007	DATE:	DWG SCALE:	Nominal Capacity:	5,655L (1,244 Imp Gal, 1,493 US Gal)	
BY: MARK SOLLID	APPROVAL:	REV: A	Holding Capacity:	5,100L (1,122 Imp Gal, 1,346 US Gal)	