

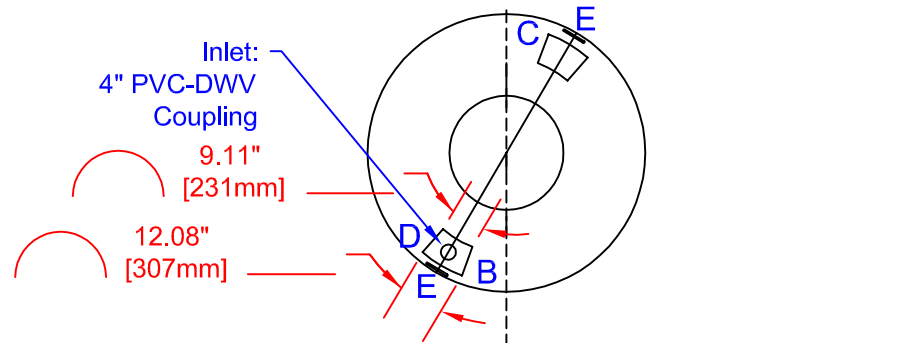
**LABEL LOCATIONS**

ITEM	QTY	DESCRIPTION	ITEM	QTY	DESCRIPTION
A	1	NAME PLATE	B	1	INLET
C	1	OUTLET	D	1	DANGER GAS
E	2	LIFTING HANDLE			

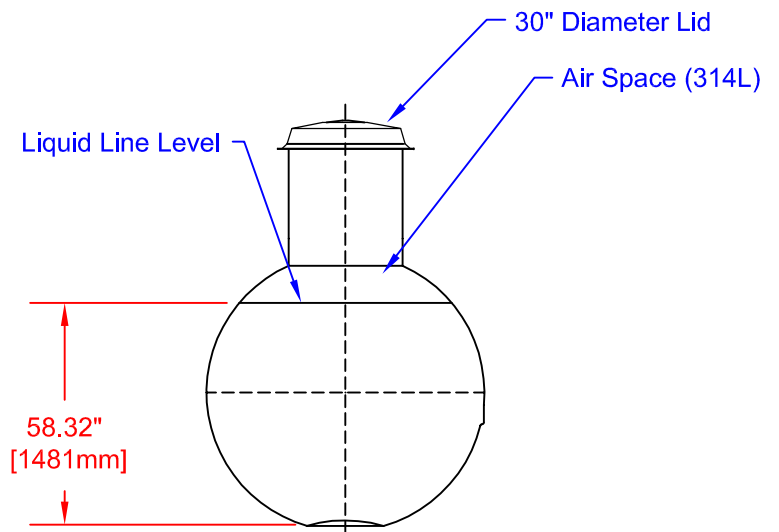
\* TANK COMES FULLY ASSEMBLED FROM FACTORY \*

\* PVC FITTINGS ARE CSA CERTIFIED

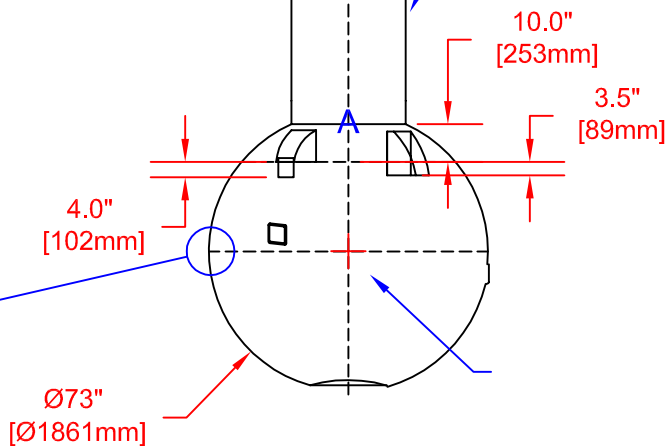
**LAMINATE DETAIL**



Manway:  
 762mm (30") x  
 914mm (36") height



**SECTION-JOINT DETAIL**



**Fibreglass  
 Canada**

Div. of FRP Manufacturing Inc.

HB750 FIBREGLASS  
 SEWAGE HOLDING TANK

Overall Diameter:	1,854mm (73")	Overall Weight:	136 kg (300 lbs)		
DATE: 12-19-2007	DATE:	DWG SCALE:	Overall Capacity:	3,337L (734 Imp Gal, 881 US Gal)	
BY: MARK SOLLID	APPROVAL:	REV: A	Holding Capacity:	2987L (657 Imp Gal, 788 US Gal)	